



T&S BRASS AND BRONZE WORKS, INC.

2 Saddleback Cove / P.O. Box 1088
Travelers Rest, SC 29690



REG. #A2601
ISO #9001

Model No.
B-7142-C01M

Item No.

Travelers Rest, SC: 800-476-4103 Simi Valley, CA: 800-423-0150 Fax: 864-834-3518 www.tsbrass.com

This Space for Architect/Engineer Approval

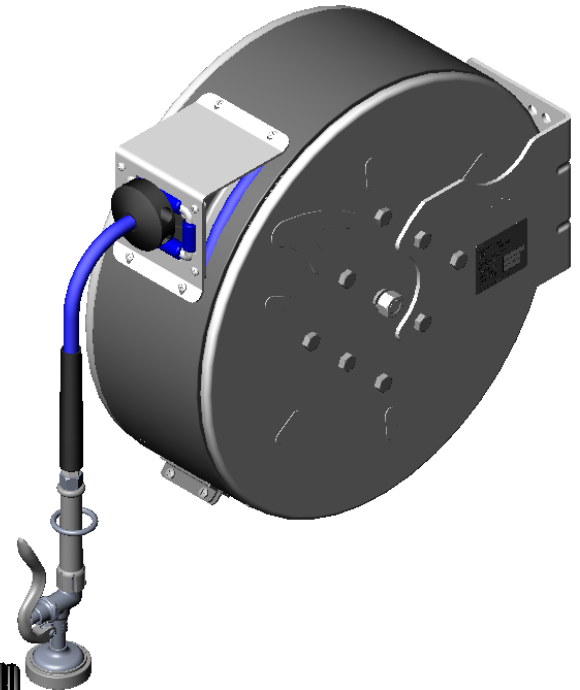
Job Name _____ Date _____

Model Specified _____ Quantity _____

Customer/Wholesaler _____

Contractor _____

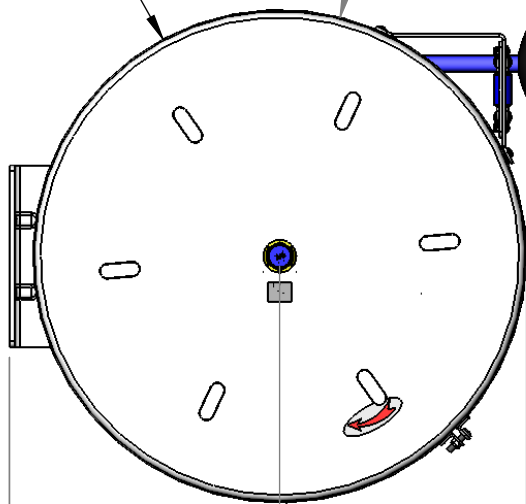
Architect/Engineer _____



3/8" NPT Female Inlet
(Left Side of Reel)

Enclosed Stainless Steel Hose Reel;
50 Ft. of 3/8" Hose

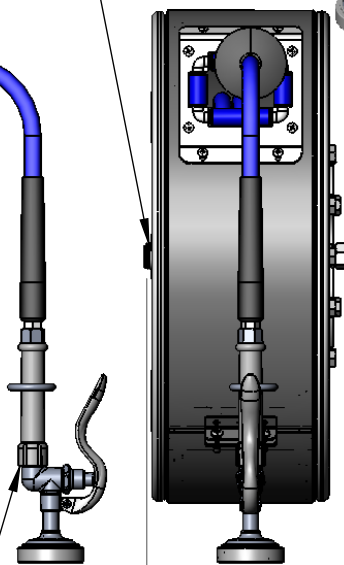
Ø 20 9/16"
[522mm]



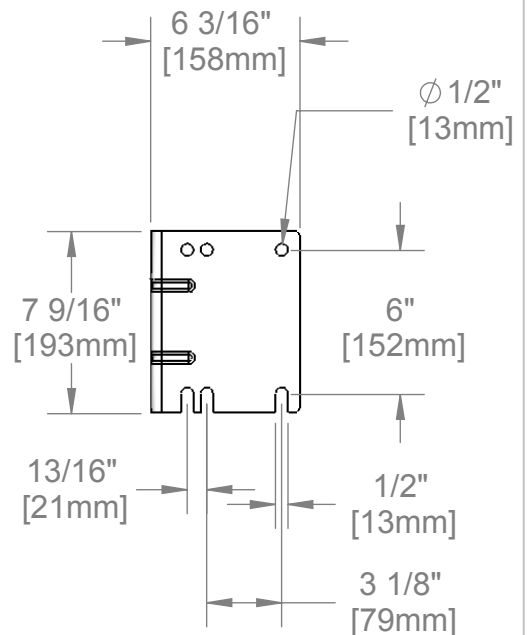
11 1/4"
[286mm]

21 9/16"
[547mm]

B-0107
w/ 1.42 GPM Flow



8 7/16"
[214mm]



EPAct2005 COMPLIANT

Product Specifications:
3/8" x 50 Ft. Enclosed Stainless Steel Reel
B-0107 w/ 1.42 GPM Flow

Drawn JRM	Checked DHL	Approved JHB
Scale: 1:8	Date: 12/19/07	



T&S BRASS AND BRONZE WORKS, INC.
 2 Saddleback Cove / P.O. Box 1088
 Travelers Rest, SC 29690



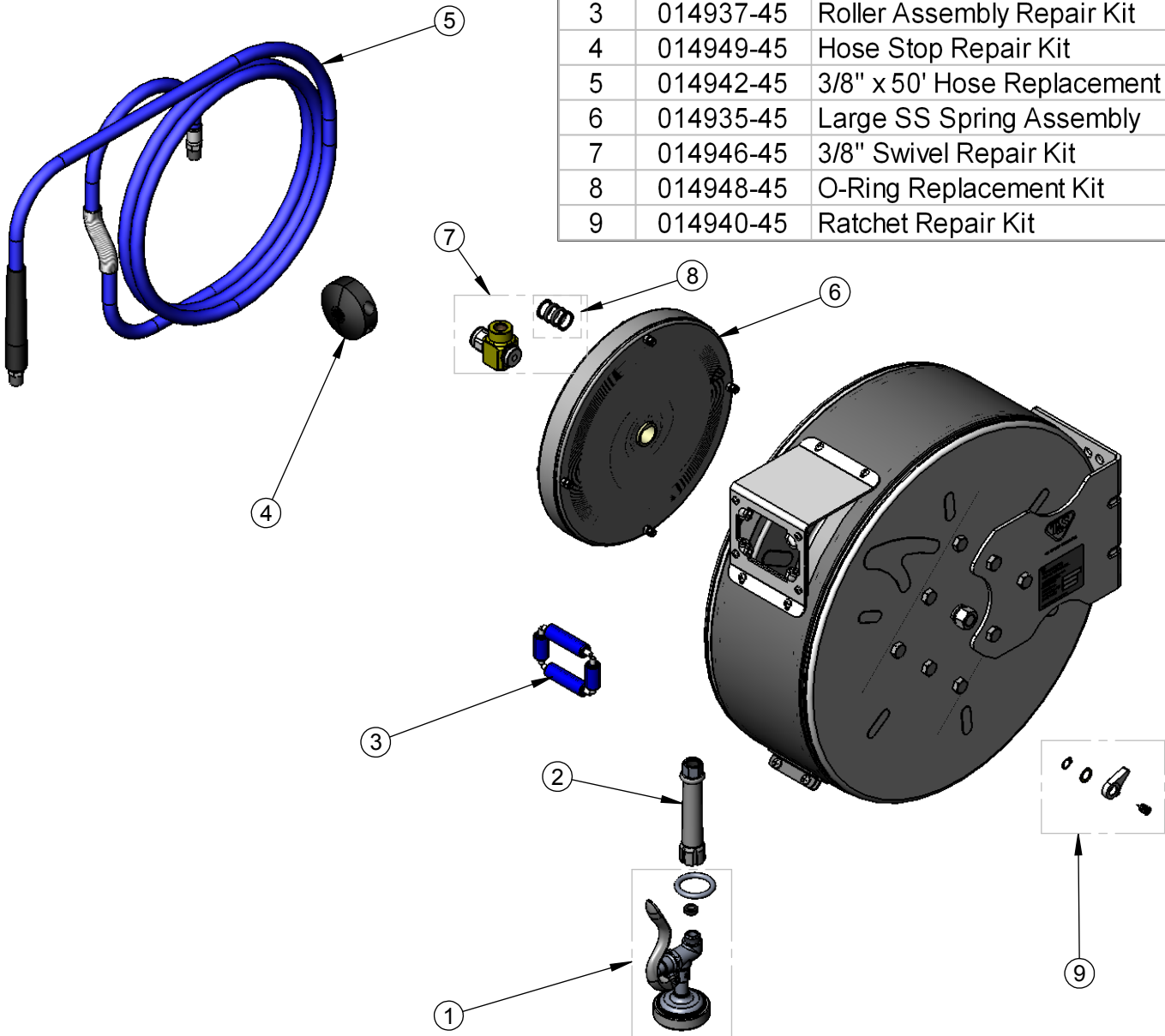
REG. #A2601
 ISO #9001

Model No.
B-7142-C01M

Item No.

Travelers Rest, SC: 800-476-4103 Simi Valley, CA: 800-423-0150 Fax: 864-834-3518 www.tsbrass.com

ITEM NO.	SALES NO.	DESCRIPTION
1	B-0107	1.42GPM Gray Spray Valve
2	005A	Gray Handle Grip
3	014937-45	Roller Assembly Repair Kit
4	014949-45	Hose Stop Repair Kit
5	014942-45	3/8" x 50' Hose Replacement Kit
6	014935-45	Large SS Spring Assembly
7	014946-45	3/8" Swivel Repair Kit
8	014948-45	O-Ring Replacement Kit
9	014940-45	Ratchet Repair Kit



Product Specifications:

3/8" x 50 Ft. Enclosed Stainless Steel Reel
 B-0107 w/ 1.42 GPM Flow

Drawn JRM	Checked DHL	Approved JHB
Scale: 1:8		Date: 12/19/07