



# T&S BRASS AND BRONZE WORKS, INC.

2 Saddleback Cove / P.O. Box 1088  
Travelers Rest, SC 29690



REG. #A2601  
ISO #9001

Model No.  
**B-7222-C08H**

Item No.

Travelers Rest, SC: 800-476-4103 Simi Valley, CA: 800-423-0150 Fax: 864-834-3518 www.tsbrass.com

This Space for Architect/Engineer Approval

Job Name \_\_\_\_\_ Date \_\_\_\_\_

Model Specified \_\_\_\_\_ Quantity \_\_\_\_\_

Customer/Wholesaler \_\_\_\_\_

Contractor \_\_\_\_\_

Architect/Engineer \_\_\_\_\_

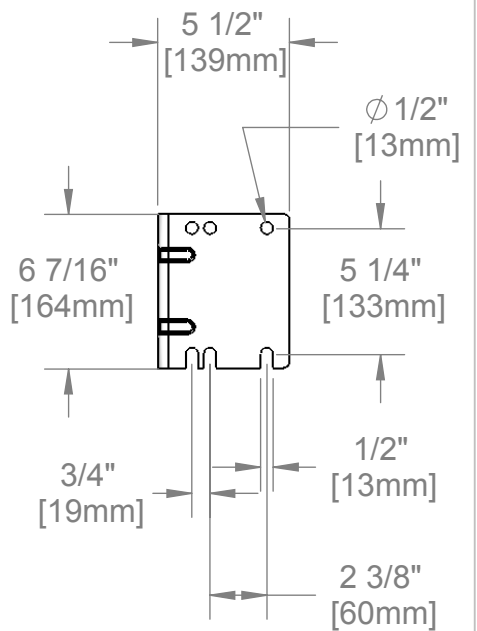
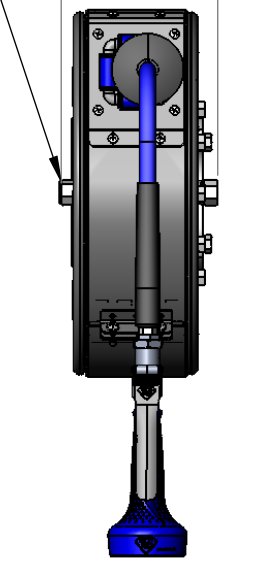
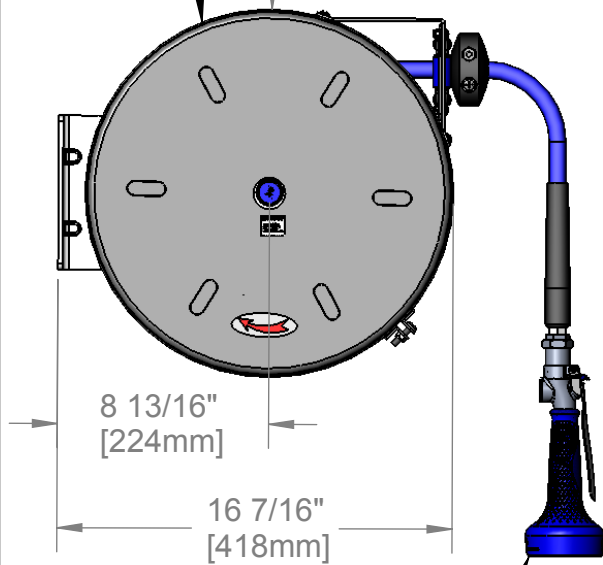


3/8" NPT Female Inlet  
(Left Side of Reel)

Enclosed Coated Hose Reel;  
30 Ft. of 3/8" Hose

Ø 15 3/8"  
[390mm]

6 1/2"  
[166mm]



B-0108-H  
Hi-Flow  
Spray Valve

Product Specifications:

**3/8" x 30 Ft. Enclosed Coated Reel**  
**B-0108-H Hi-Flow Spray Valve**

|               |                   |                 |
|---------------|-------------------|-----------------|
| Drawn<br>JRM  | Checked<br>DHL    | Approved<br>JHB |
| Scale:<br>1:8 | Date:<br>12/19/07 |                 |



**T&S BRASS AND BRONZE WORKS, INC.**  
 2 Saddleback Cove / P.O. Box 1088  
 Travelers Rest, SC 29690



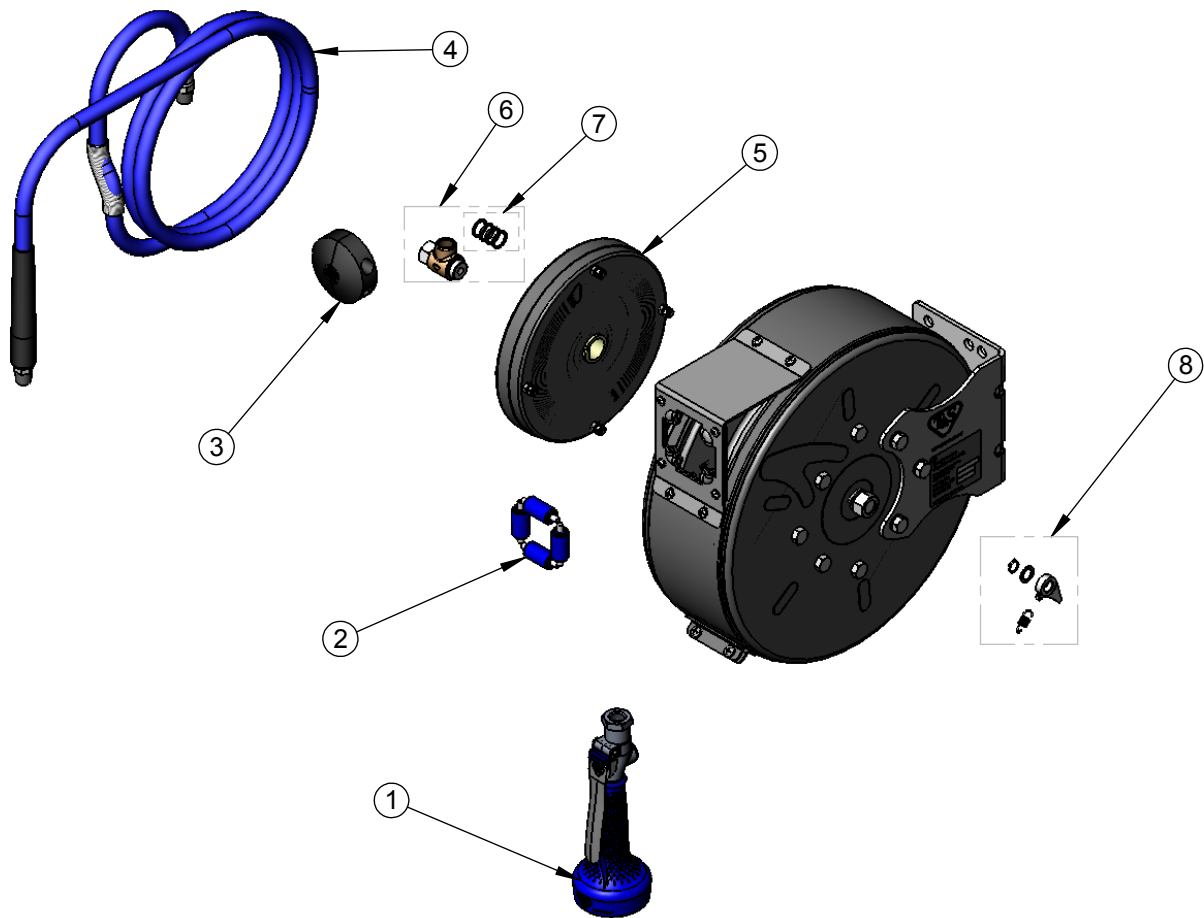
REG. #A2601  
 ISO #9001

Model No.  
**B-7222-C08H**

Item No.

Travelers Rest, SC: 800-476-4103 Simi Valley, CA: 800-423-0150 Fax: 864-834-3518 www.tsbrass.com

| ITEM NO. | SALES NO. | DESCRIPTION                     |
|----------|-----------|---------------------------------|
| 1        | B-0108-H  | Hi-Flow B-0108 Spray Valve      |
| 2        | 014936-45 | Roller Assembly Repair Kit      |
| 3        | 014949-45 | Hose Stop Repair Kit            |
| 4        | 014943-45 | 3/8" x 30' Hose Replacement Kit |
| 5        | 014932-45 | Small Spring Assembly           |
| 6        | 014946-45 | 3/8" Swivel Repair Kit          |
| 7        | 014948-45 | O-Ring Replacement Kit          |
| 8        | 014940-45 | Ratchet Repair Kit              |



Product Specifications:

3/8" x 30 Ft. Enclosed Coated Reel  
 B-0108-H Hi-Flow Spray Valve

|               |                |                   |
|---------------|----------------|-------------------|
| Drawn<br>JRM  | Checked<br>DHL | Approved<br>JHB   |
| Scale:<br>1:8 |                | Date:<br>12/19/07 |