



T&S BRASS AND BRONZE WORKS, INC.

2 Saddleback Cove / P.O. Box 1088
Travelers Rest, SC 29690



REG. #A2601
ISO #9001

Model No.
BL-4350-02

Item No.

Travelers Rest, SC: 800-476-4103 Simi Valley, CA: 800-423-0150 Fax: 864-834-3518 www.tsbrass.com

This Space for Architect/Engineer Approval

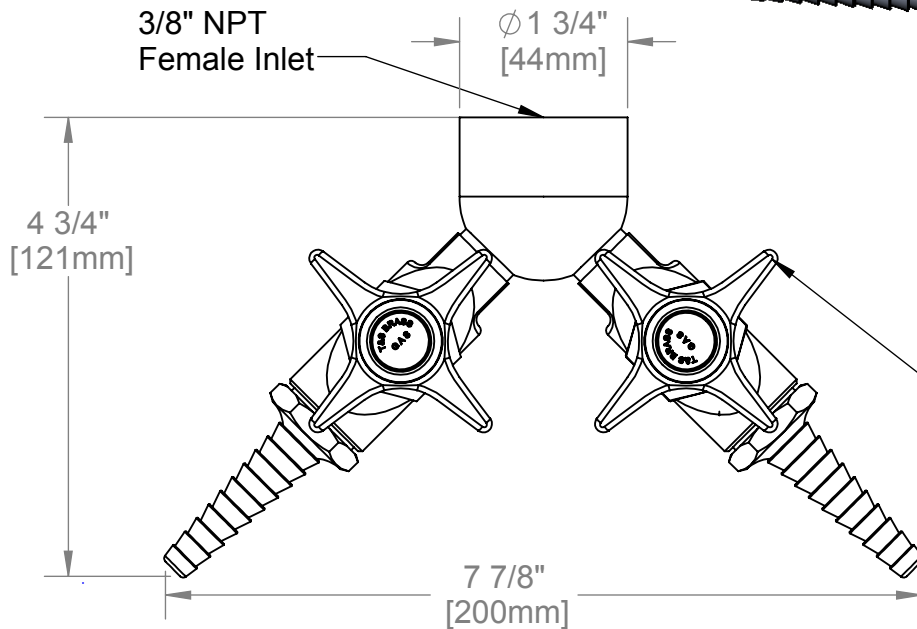
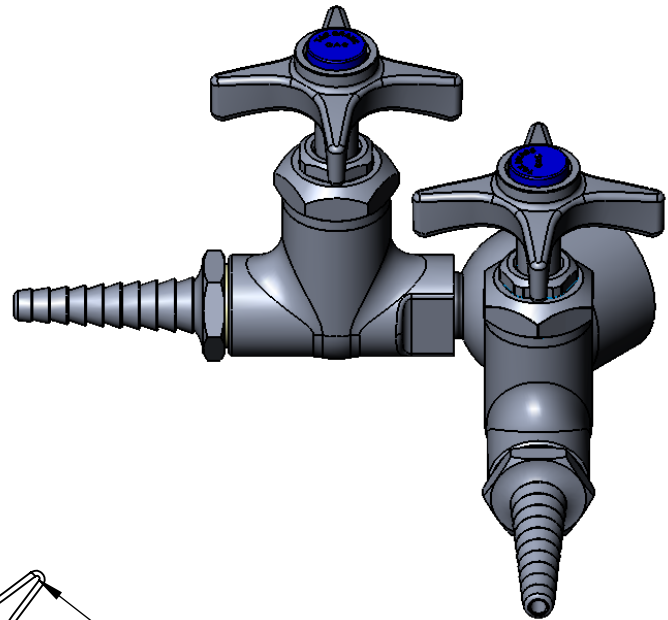
Job Name _____ Date _____

Model Specified _____ Quantity _____

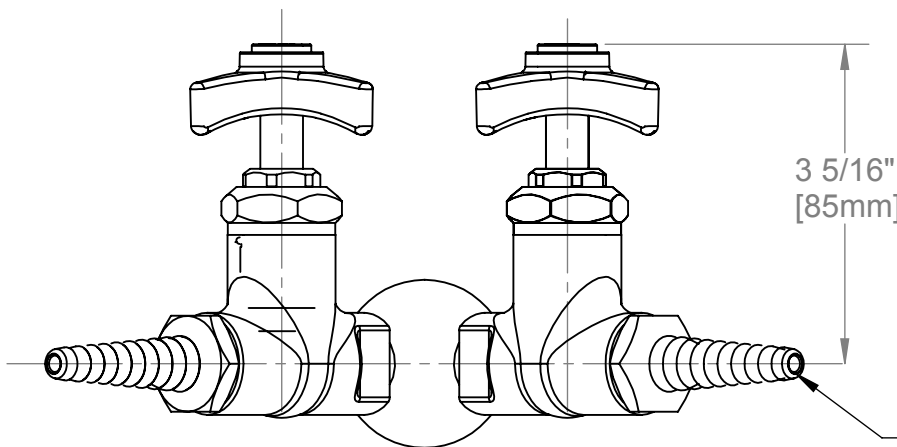
Customer/Wholesaler _____

Contractor _____

Architect/Engineer _____



Four Arm Handle w/
Color Coded Index



Removeable
Serrated Tip

Product Specifications:

Panel Flange w/ (2) Straight Stops
For Gas, Air, VAC Applications,
3/8" NPT Female Inlet, Serrated Tip Outlets

Drawn
ARH

Checked
GEF

Approved
JHB

Scale:

1:2

Date:

02/04/08



T&S BRASS AND BRONZE WORKS, INC.

2 Saddleback Cove / P.O. Box 1088
Travelers Rest, SC 29690



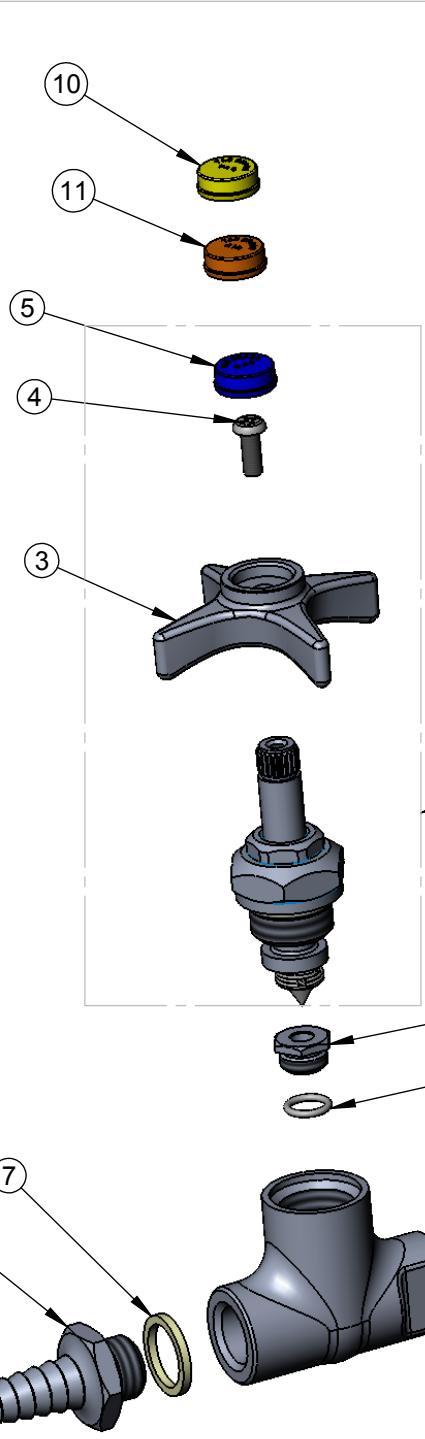
REG. #A2601
ISO #9001

Model No.

BL-4350-02

Item No.

Travelers Rest, SC: 800-476-4103 Simi Valley, CA: 800-423-0150 Fax: 864-834-3518 www.tsbrass.com



ITEM NO.	SALES NO.	DESCRIPTION
1	BL-4250-05	Panel Flange, 3/8" NPT
2	110A	Spindle Assembly, BL-4500-01
3	000059-40	4-Arm Lab Handle
4	000925-45	Lab Handle Screw
5	001197-45	Cap, Index, Blue, Gas
6	B-0198	Hose End, Serrated, Brass, PLTD
7	009641-45	Washer, 7/8" OD X 11/16 ID X 3/32 Thick
8	000529-40	Seat, BL-4500-01
9	006574-45	O-ring, 0.364 ID X .070 WT
10	001200-45	Cap, Index, Yellow, Vacuum
11	001203-45	Cap, Index, Orange, Air

Note: Only (1) of (2) Straight Stops
Shown for Clarity.

Product Specifications:

Panel Flange w/ (2) Straight Stops
For Gas, Air, VAC Applications,
3/8" NPT Female Inlet, Serrated Tip Outlets

Drawn ARH	Checked GEF	Approved JHB
Scale: 1:2		Date: 02/04/08