



# T&S BRASS AND BRONZE WORKS, INC.

2 Saddleback Cove / P.O. Box 1088  
Travelers Rest, SC 29690



REG. #A2601  
ISO #9001

Model No.  
**BL-5780-01**

Item No.

Travelers Rest, SC: 800-476-4103 Simi Valley, CA: 800-423-0150 Fax: 864-834-3518 www.tsbrass.com

This Space for Architect/Engineer Approval

Job Name \_\_\_\_\_ Date \_\_\_\_\_

Model Specified \_\_\_\_\_ Quantity \_\_\_\_\_

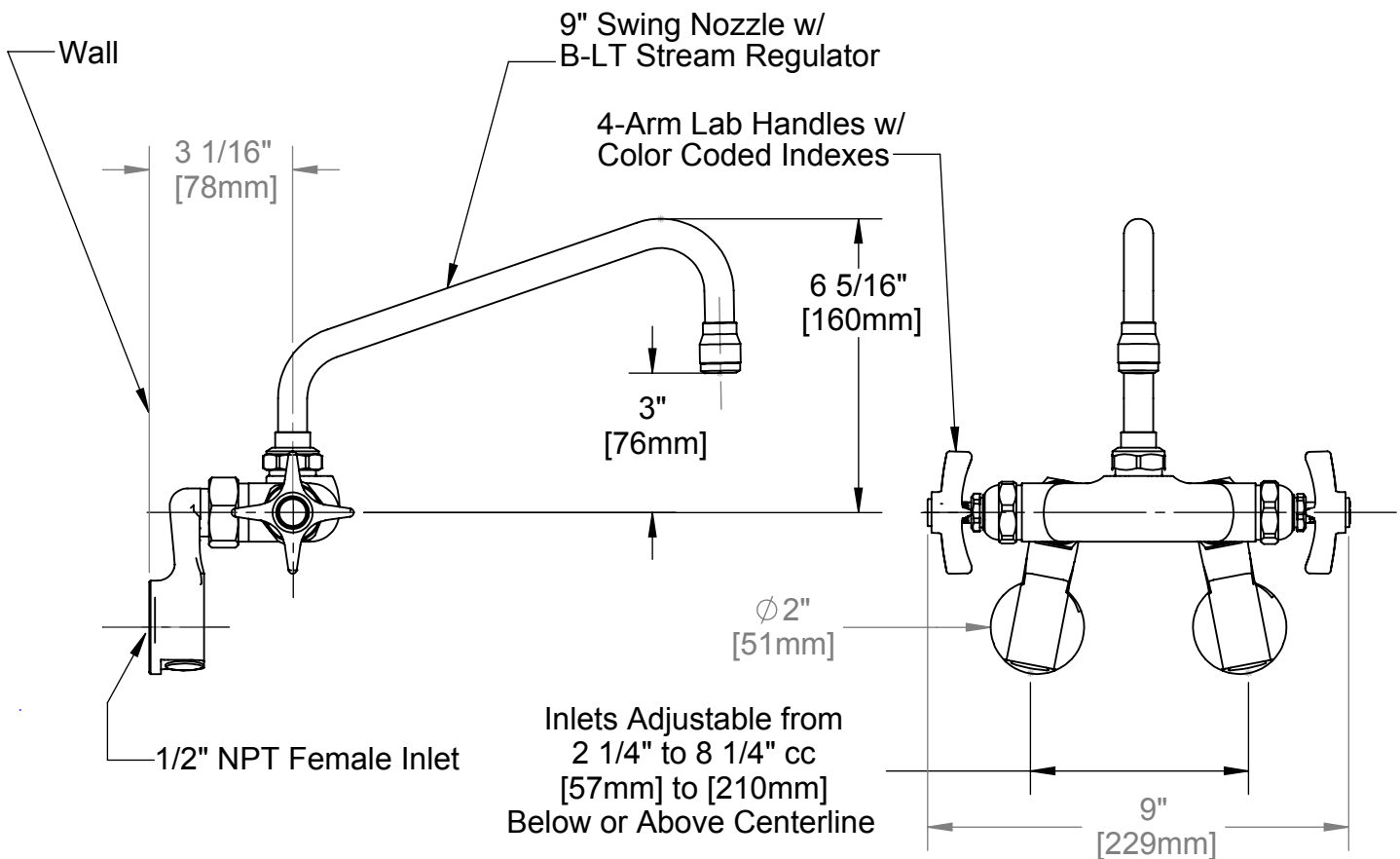
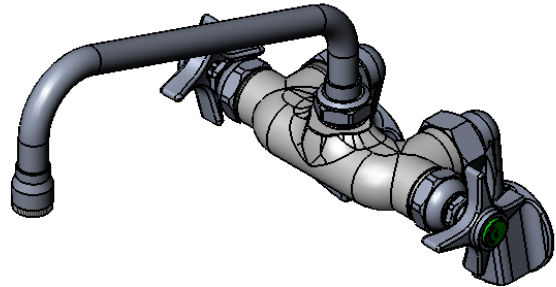
Customer/Wholesaler \_\_\_\_\_

Contractor \_\_\_\_\_

Architect/Engineer \_\_\_\_\_



**ADA Compliant**



**Product Specifications:**

Wall Mount Polish Chrome Mixing Faucet w/ Adjustable Inlet Arms & 9" Nozzle w/ 4-Arm Lab Handles

Drawn ARH	Checked DHL	Approved JHB
Scale: 1:4		Date: 12/20/07



**T&S BRASS AND BRONZE WORKS, INC.**

2 Saddleback Cove / P.O. Box 1088  
Travelers Rest, SC 29690



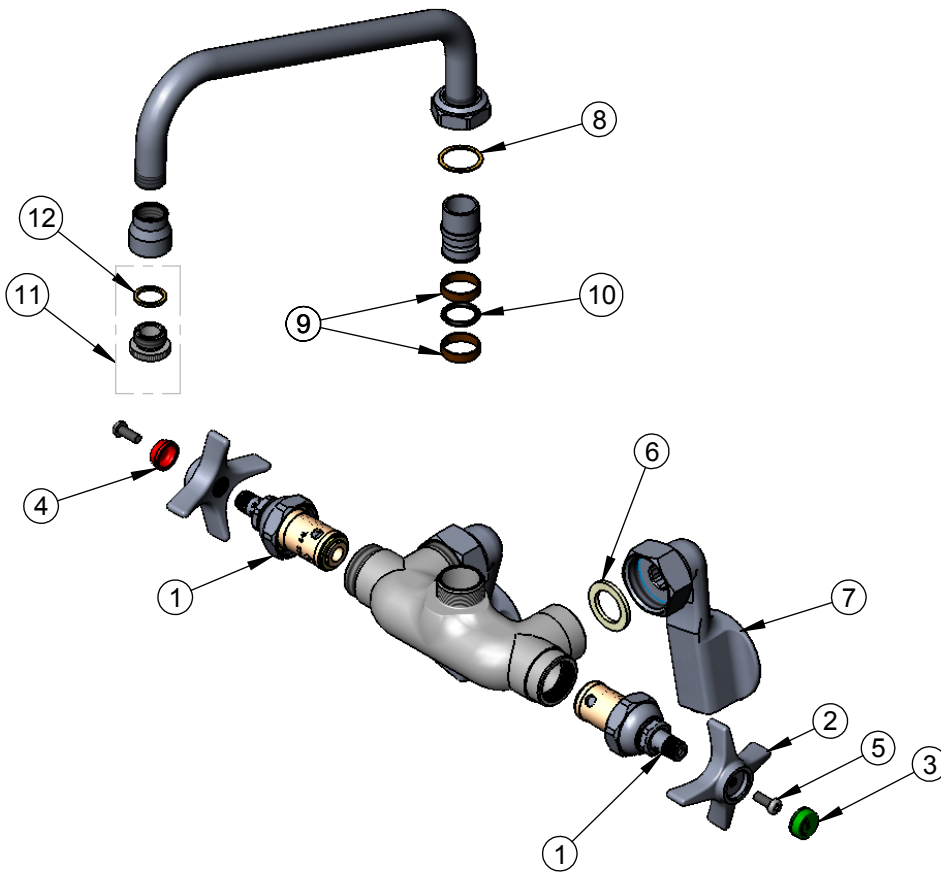
REG. #A2601  
ISO #9001

Model No.  
**BL-5780-01**

Item No.

Travelers Rest, SC: 800-476-4103 Simi Valley, CA: 800-423-0150 Fax: 864-834-3518 www.tsbrass.com

ITEM NO.	SALES NO.	DESCRIPTION
1	005960-40	Eterna Cartridge, Hot
2	000059-40	4-Arm Lab Handle
3	001191-45	Cap, Index, Green, Cold Water
4	001194-45	Red HW Index
5	000925-45	Lab Handle Screw
6	001019-45	Washer, Coupling Nut
7	00GG	Flange Assembly, 1/2" NPT, Adjustable
8	009538-45	Swivel Washer
9	011429-45	Swivel Sleeves (2)
10	001074-45	O-Ring
11	B-LT	Stream Regulator
12	009636-45	Washer



Product Specifications:

Wall Mount Polish Chrome Mixing Faucet w/ Adjustable Inlet Arms & 9" Nozzle w/ 4-Arm Lab Handles

Drawn ARH	Checked DHL	Approved JHB
Scale: 1:4		Date: 12/20/07