



T&S BRASS AND BRONZE WORKS, INC.

2 Saddleback Cove / P.O. Box 1088
Travelers Rest, SC 29690



REG. #A2601
ISO #9001

Model No.
BL-6005-03

Item No.

Travelers Rest, SC: 800-476-4103 Simi Valley, CA: 800-423-0150 Fax: 864-834-3518 www.tsbrass.com

This Space for Architect/Engineer Approval

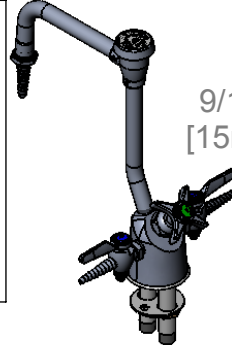
Job Name _____ Date _____

Model Specified _____ Quantity _____

Customer/Wholesaler _____

Contractor _____

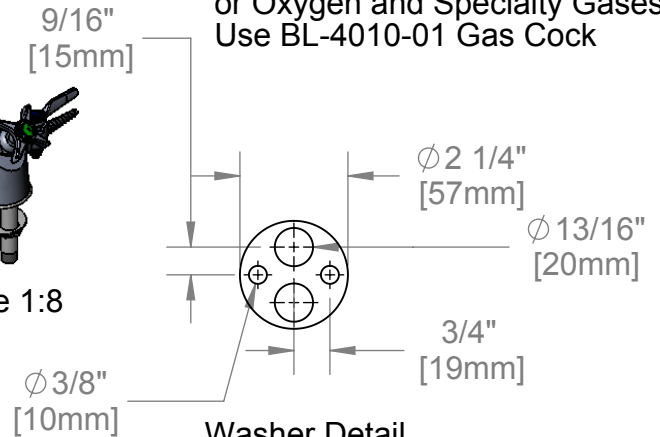
Architect/Engineer _____



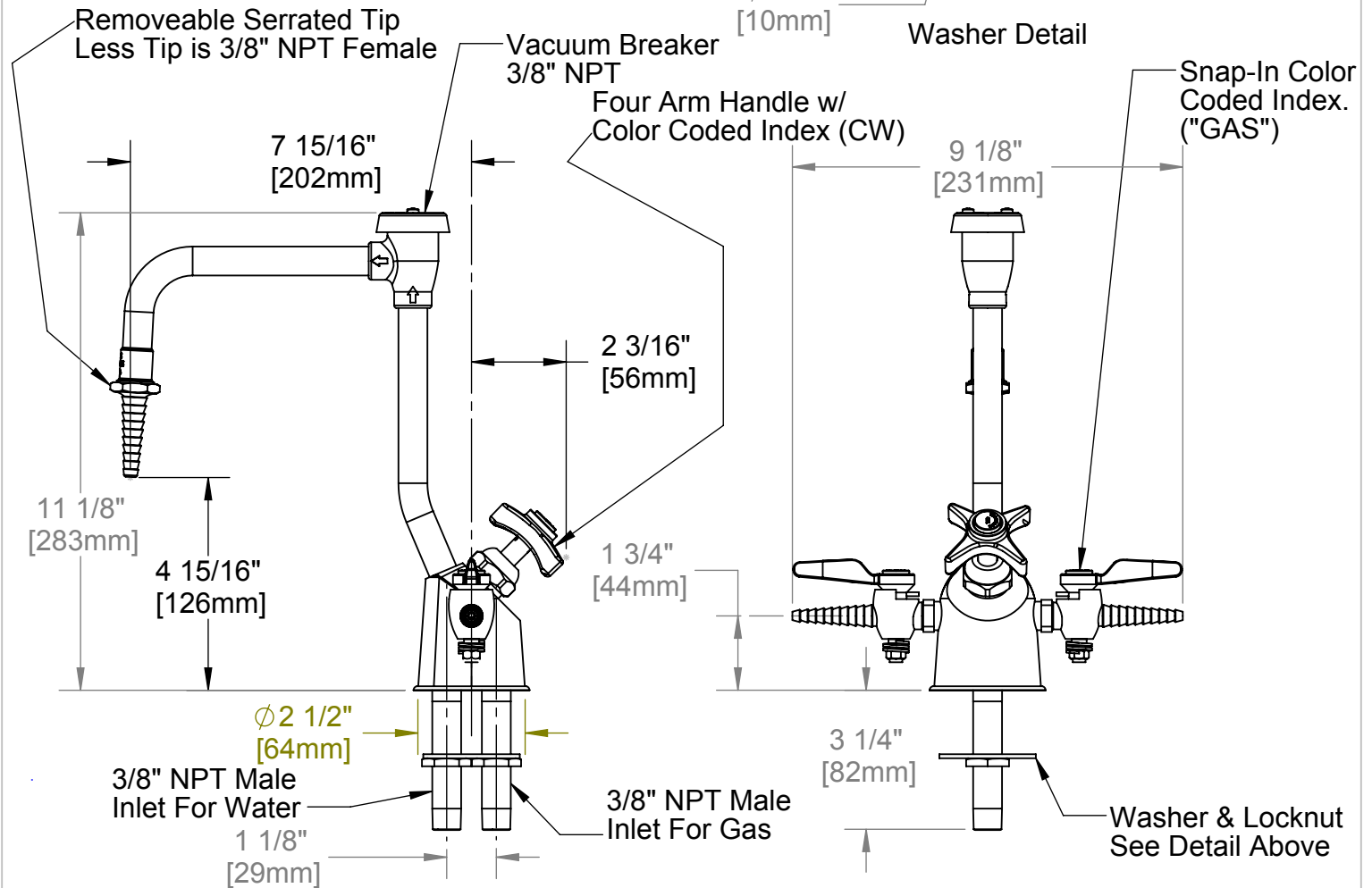
Scale 1:8

Note :

For Pressures Above 0.5 PSIG
or Oxygen and Specialty Gases,
Use BL-4010-01 Gas Cock



Washer Detail



Product Specifications:

Combination Gas & Water Fixture w/ 2 Gas
Cocks, Vacuum Breaker, Gooseneck w/ Serrated
Tip, 3/8" NPT Inlets

Drawn ARH	Checked JRM	Approved JHB
Scale: 1:4		Date: 9/19/07



T&S BRASS AND BRONZE WORKS, INC.

2 Saddleback Cove / P.O. Box 1088
Travelers Rest, SC 29690



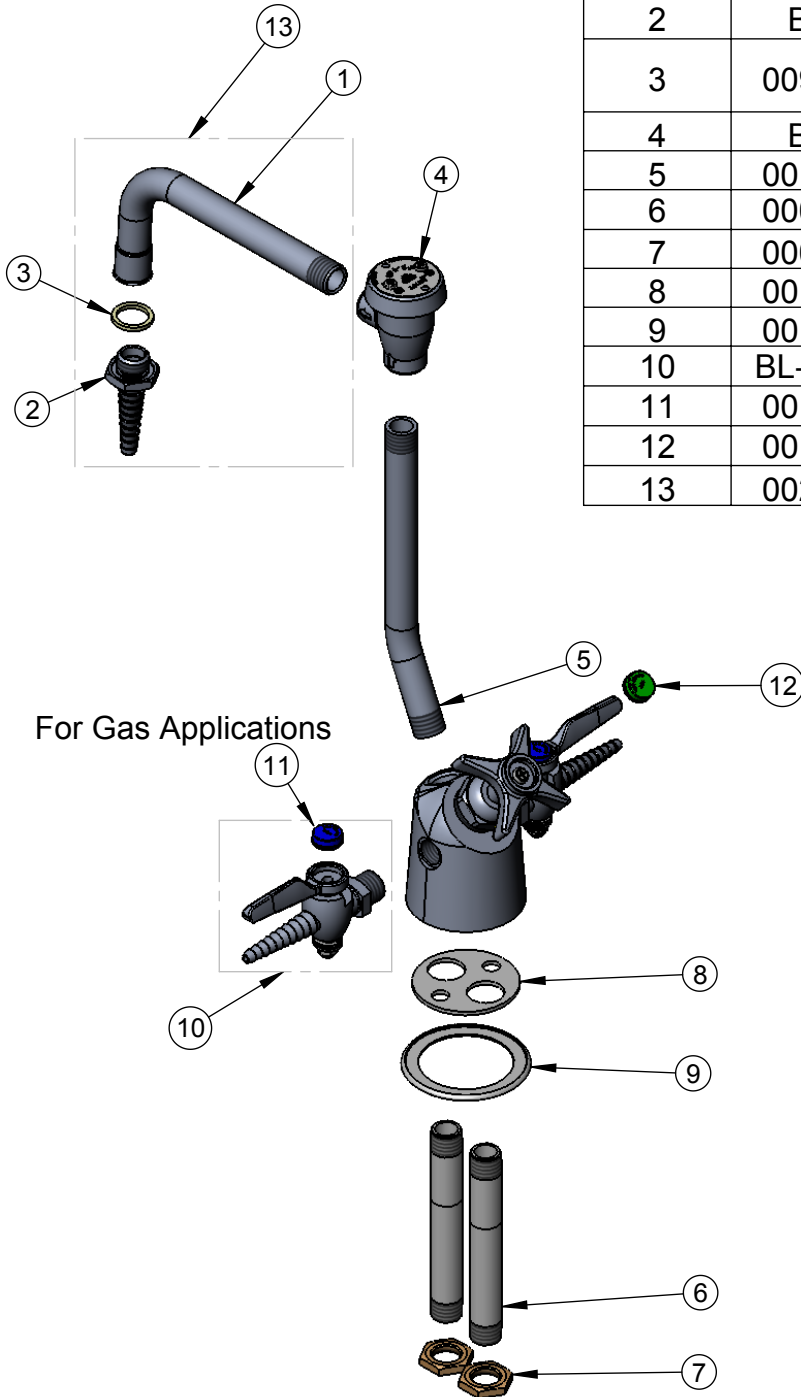
REG. #A2601
ISO #9001

Model No.
BL-6005-03

Item No.

Travelers Rest, SC: 800-476-4103 Simi Valley, CA: 800-423-0150 Fax: 864-834-3518 www.tsbrass.com

ITEM NO.	SALES NO.	DESCRIPTION
1	001009-40	Nozzle, 6", 3/8 NPT
2	B-0198	Serrated Tip
3	009641-45	Washer, 7/8" OD X 11/16 ID X 3/32 Thick
4	B-0968	Asm., Vacuum Breaker, 3/8" NPT
5	001522-40	Riser, BL-6005-01, 7"
6	000381-20	Nipple, Supply, 3/8" Pipe, Brass
7	000969-45	Nut, Lock, 3/8" NPSL, Brass
8	001004-45	Washer, Turret BL-6000, Brass
9	001160-45	Gasket, BL-6000
10	BL-4000-01	Hose Cock, Ground Key, 0.5 PSIG
11	001197-45	Cap, Index, Blue, Gas
12	001191-45	Cap, Index, Green, Cold Water
13	002986-40	Nozzle, V.B. Asm.



Product Specifications:

Combination Gas & Water Fixture w/ 2 Gas Cocks, Vacuum Breaker, Gooseneck w/ Serrated Tip, 3/8" NPT Inlets

Drawn ARH	Checked JRM	Approved JHB
Scale: 1:4		Date: 9/19/07