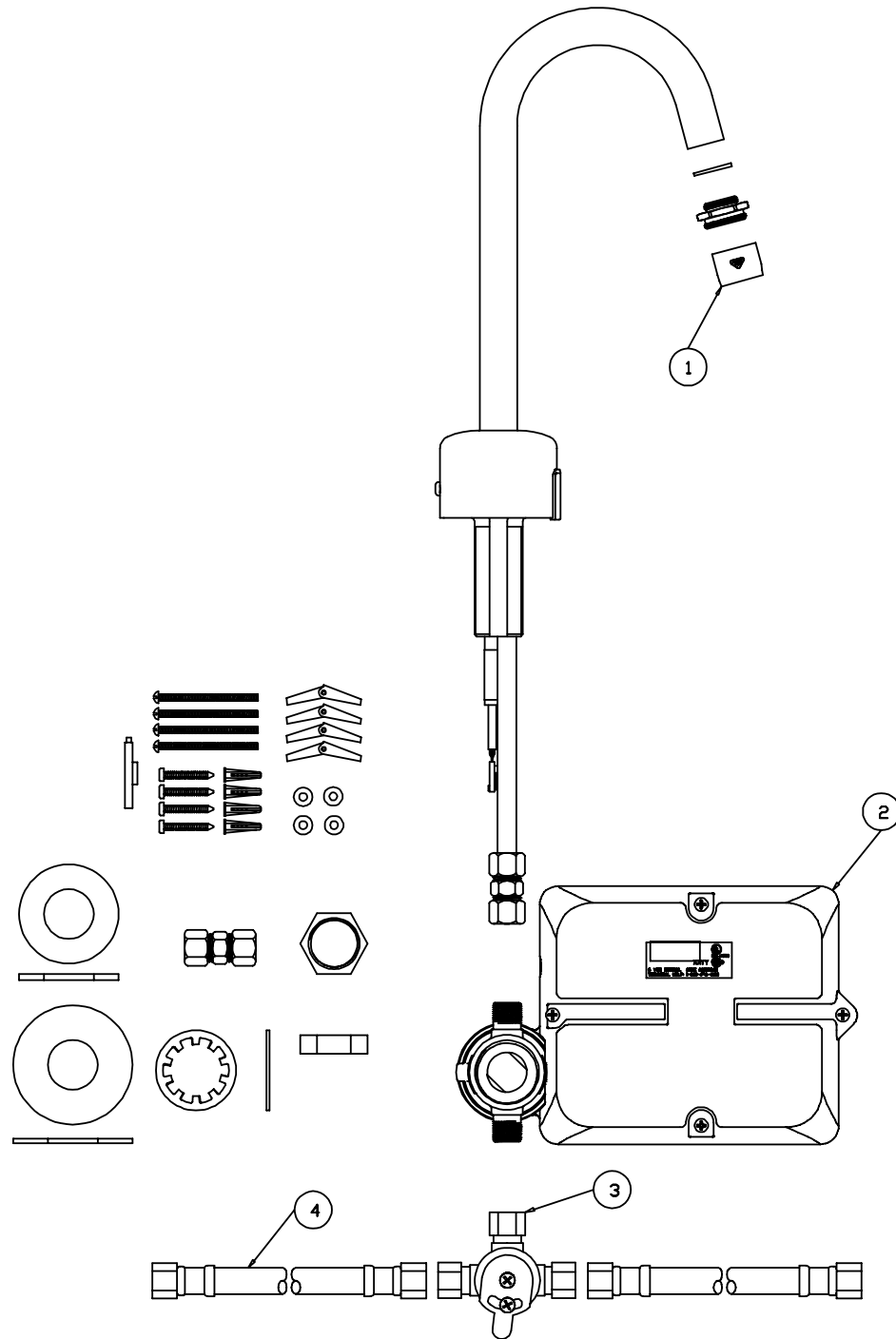


EC-2100



ChekPoint Deckmount Gooseneck DC

- | | | |
|---|---------------------------------|-----------|
| 1 | Aerator | B-0199-01 |
| 2 | Asm, DC Control Module | 013143-45 |
| 3 | Transformer, 120V/35VA, Plug-In | 013144-45 |
| 4 | Valve, Leonard Mixing | 013130-45 |
| 5 | Hose, Supply, Braided | 013146-45 |

