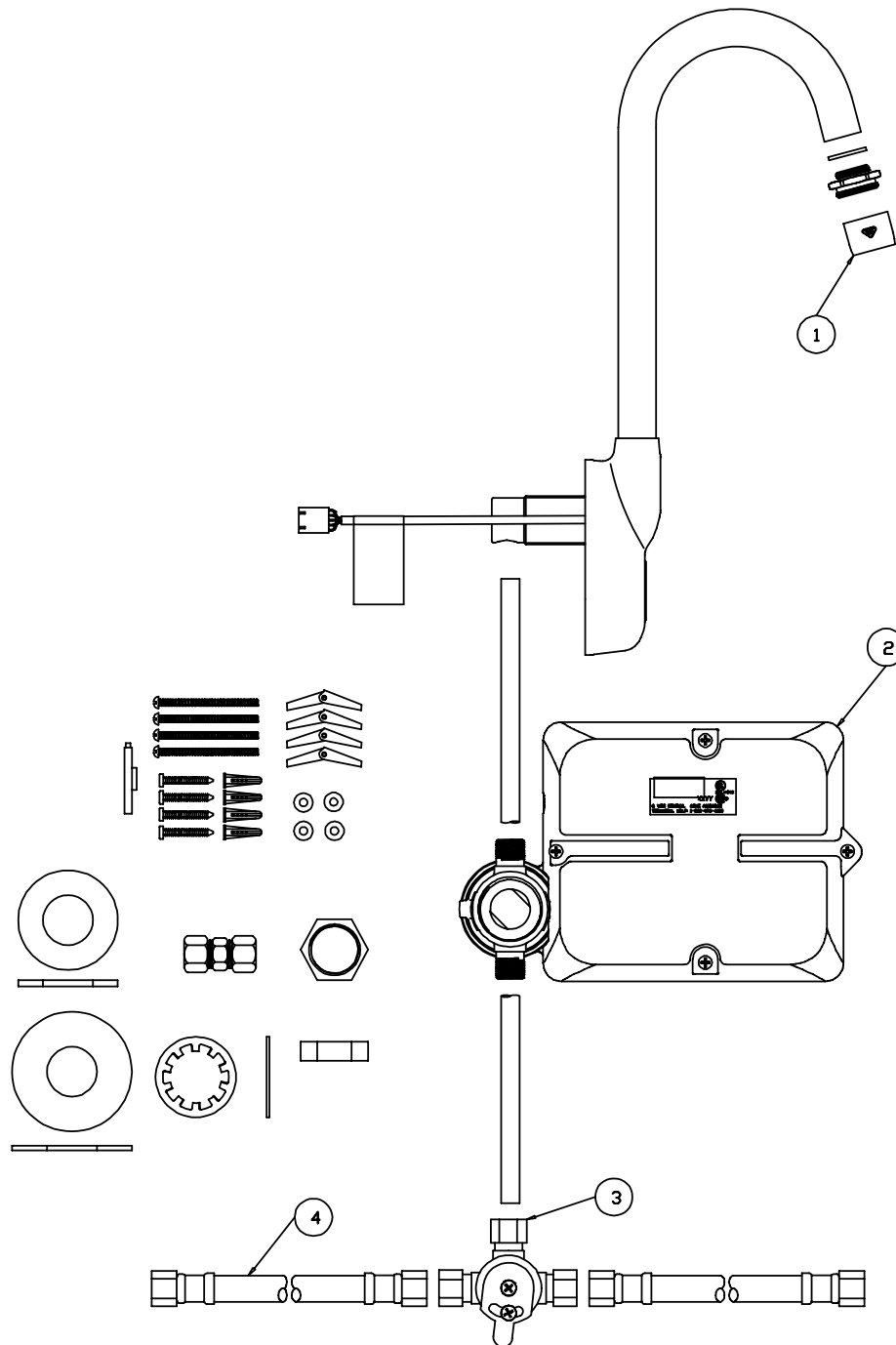


# EC-2101



## ***ChekPoint Wallmount Gooseneck DC***

- |   |                                 |           |
|---|---------------------------------|-----------|
| 1 | Aerator                         | B-0199-01 |
| 2 | Asm, DC Control Module          | 013143-45 |
| 3 | Transformer, 120V/35VA, Plug-In | 013144-45 |
| 4 | Valve, Leonard Mixing           | 013130-45 |
| 5 | Hose, Supply, Braided           | 013146-45 |

