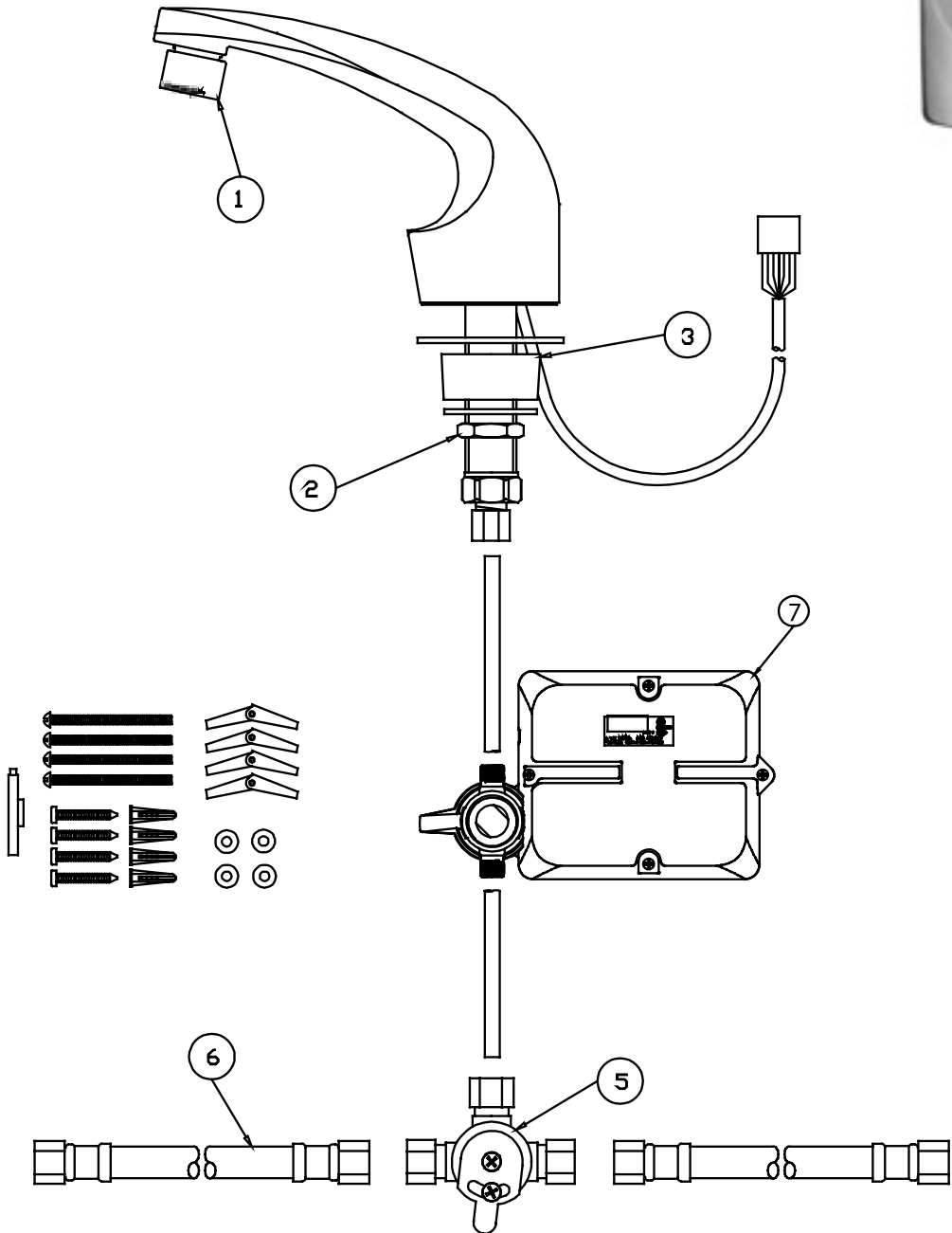


# EV-2102



**Vision DC Wallmount Gooseneck**

- |   |                           |           |
|---|---------------------------|-----------|
| 1 | Aerator                   | B-0199-01 |
| 2 | Nut, Shank                | 001801-20 |
| 3 | Sensor, Electronic Faucet | 013491-45 |
| 5 | Valve, Leonard Mixing     | 013130-45 |
| 6 | Hose, Supply, Braided     | 013146-45 |
| 7 | Asm, DC Control Box       | 013532-40 |

