



T&S BRASS AND BRONZE WORKS, INC.

2 Saddleback Cove / P.O. Box 1088
Travelers Rest, SC 29690



REG. #A2601
ISO #9001

Model No.
MPZ-8WCN-06

Item No.

Travelers Rest, SC: 800-476-4103 Simi Valley, CA: 800-423-0150 Fax: 864-834-3518 www.tsbrass.com

This Space for Architect/Engineer Approval

Job Name _____ Date _____

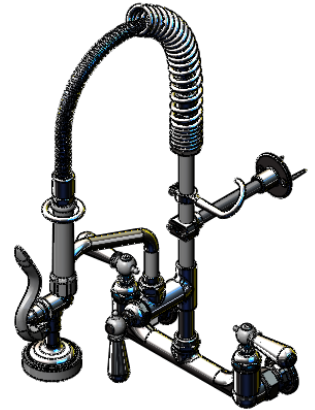
Model Specified _____ Quantity _____

Customer/Wholesaler _____

Contractor _____

Architect/Engineer _____

EPAct2005 Compliant
For Commercial Use Only



B-0024-H
24" Stainless Steel
Hose w/ Polyurethane
Inner Hose & Handle

Swing Nozzle
Not Shown For
Clarity

Overhead Spring, Hose
& Spray Valve Not Shown
For Clarity

059X
6" Swing
Nozzle w/
B-PT Stream
Regulator

B-0107
Spray Valve
w/ 1.42 GPM
Flow Rate

000364-40
3/8" NPT
x 8" Riser

004R
Finger
Hook

B-0109-01
6" Wall
Bracket

7 1/2"
[191mm]

6"
[152mm]

4 1/8"
[104mm]

8 7/8"
[226mm]

11 5/16"
[287mm]

21 3/4"
[552mm]

Eterna Cartridges w/
Spring Checks &
Club Handles

Mounting
Surface

Eterna Cartridge &
Club Handle

2"
[51mm]
Flanges
(1/2" NPT
Female Inlets)

Product Specifications:

**Easy Install Pre-Rinse Unit:
8" Wall Mount Mixing Faucet, Add-On Faucet,
6" Swing Nozzle, Compact Spring & Flex Hose, B-0107
Spray Valve, 6" Wall Bracket & Club Handles**

Drawn JRM	Checked DHL	Approved JHB
Scale: 1:8	Date: 3/28/08	



T&S BRASS AND BRONZE WORKS, INC.

2 Saddleback Cove / P.O. Box 1088
Travelers Rest, SC 29690



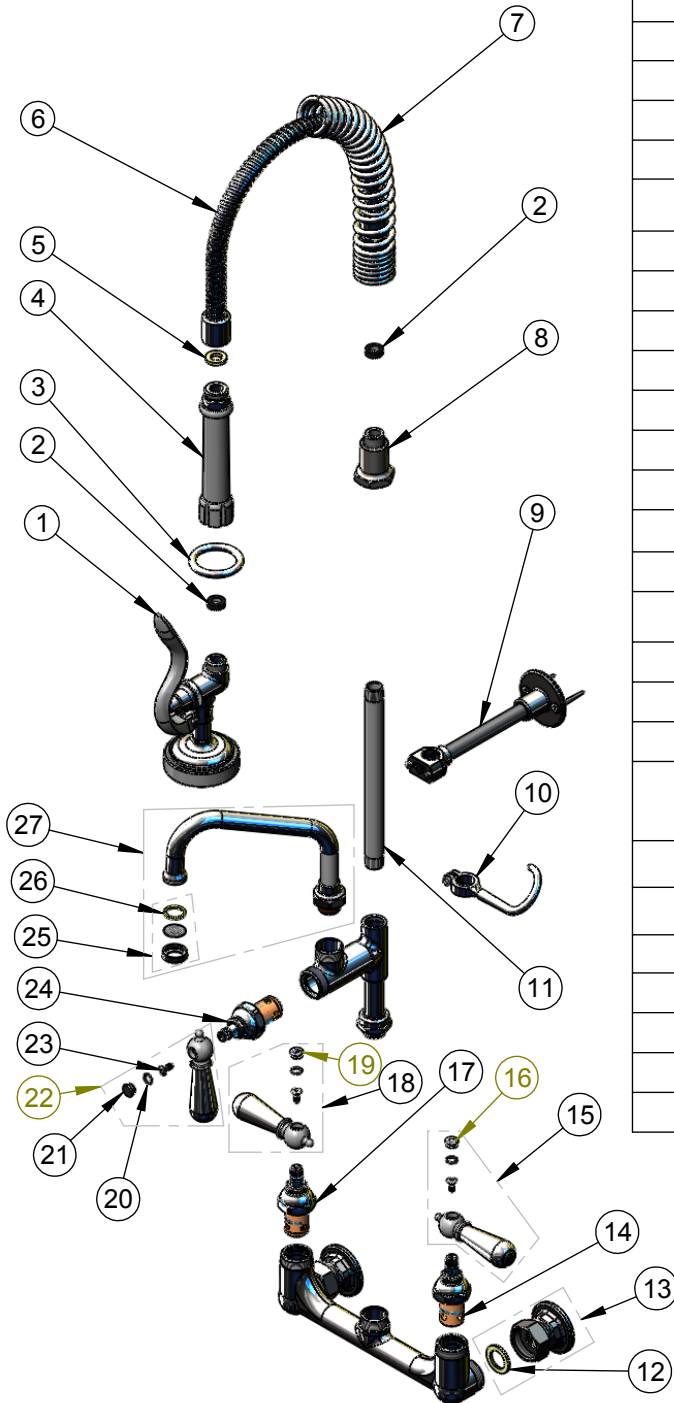
REG. #A2601
ISO #9001

Model No.

MPZ-8WCN-06

Item No.

Travelers Rest, SC: 800-476-4103 Simi Valley, CA: 800-423-0150 Fax: 864-834-3518 www.tsbrass.com



ITEM NO.	SALES NO.	DESCRIPTION
1	B-0107	1.42 GPM Spray Valve
2	010476-45	#27 Washer
3	000907-45	Hold Down Ring
4	002987-40	Grip Handle Assembly
5	010475-45	Washer, B-0100 Hose Barrel
6	B-0024-H2A	24" Flex Hose Less Handle
7	016795-45	Compact Pre-Rinse Spring
8	000821-40	Spring Body
9	B-0109-01	Bracket Assembly, 6" Wall
10	004R	Finger Hook
11	000364-40	3/8" x 8" Riser
12	006925-45	Coupling Nut Washer
13	00AA	00AA Flange Assembly
14	002711-40	Spindle Asm, Eterna SC Cold
15	009331-41	Decorative Handle Asm-Cold
16	009304-41	Cap Insert, Cold
17	002712-40	Spindle Asm, Eterna SC Hot
18	009332-41	Decorative Handle Asm-Hot
19	009303-41	Cap Insert, Hot
20	001066-45	EasyInstall B-0107, Hose, & Club Add-On Faucet
21	009285-41	Cap Insert, Blank
22	017181-41	Decorative Handle Asm-Blank
23	000922-45	Screw
24	005960-40	Spindle Asm, Eterna "Hot"
25	B-PT	Stream Regulator Outlet
26	001038-45	Nozzle Tip Washer
27	059X	133X Swivel Gooseneck

Product Specifications:

Easy Install Pre-Rinse Unit:
8" Wall Mount Mixing Faucet, Add-On Faucet,
6" Swing Nozzle, Compact Spring & Flex Hose, B-0107
Spray Valve, 6" Wall Bracket & Club Handles

Drawn	Checked	Approved
JRM	DHL	JHB
Scale:	Date:	
1:8	3/28/08	