



ADA COMPLIANT

This Space for Architect/Engineer Approval

Job Name _____ Date _____

Model Specified _____ Quantity _____

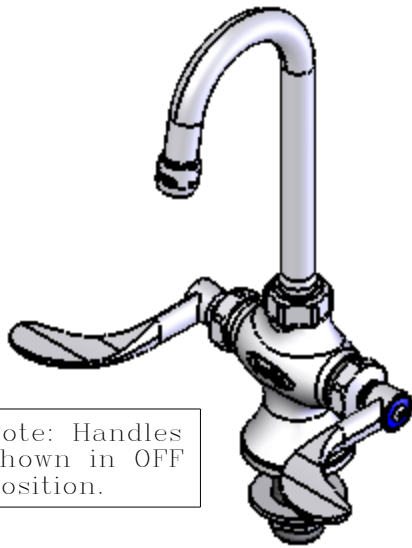
Customer/Wholesaler _____

Contractor _____

Architect/Engineer _____

Available Options

Model Suffix #	Description
<input type="checkbox"/> -5A	2.2 GPM VR Aerator
<input type="checkbox"/> -5B	0.5 GPM Aerator
<input type="checkbox"/> -5C	0.5 GPM VR Aerator
<input type="checkbox"/> -5D	2.2 GPM Laminar Flow
<input type="checkbox"/>	
<input type="checkbox"/> -VR5C	Complete VR Pkg (0.5 GPM)
<input type="checkbox"/> -VR5A	Complete VR Pkg (2.2 GPM)
<input type="checkbox"/>	



Note: Handles Shown in OFF Position.



(2X) 12" Supply Tubes

Gooseneck may be Swivel or Rigid

2.2 GPM Aerator

1/4 Turn Hot & Cold Ceramic Cartridges w/ Wrist Action Handles and Color Coded Indexes

11 3/4" [298mm]

8 3/8" [213mm]

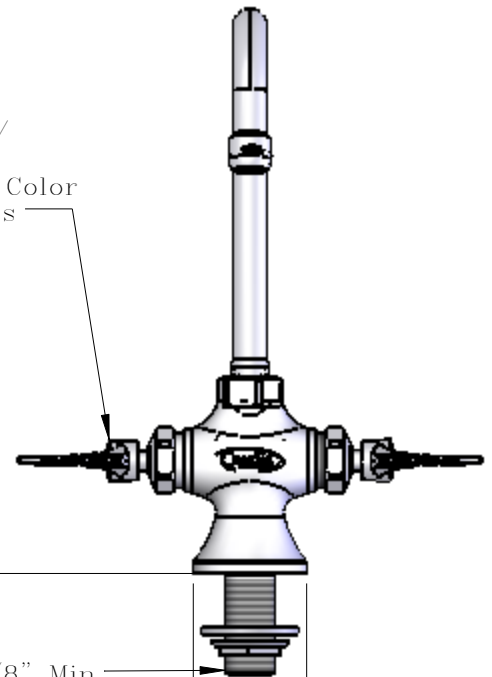
2 1/8" [54mm]

3 1/2" [89mm]

Rough-in Hole ϕ 1-1/8" Min

Max. Countertop Thickness 1 7/16" [37mm]

ϕ 2 3/8" [60mm]



Model Number
Q-138WA

Date
10/23/2006

Scale
1:4

Drawn
DHL

Checked
JRM

Approved
JHB



Product Specifications:

Single Hole Deck Mount Mixing Faucet, Ceramic Cartridges, 4" Wrist Action Handles, 3 1/2" Gooseneck (GN-A), 2.2 GPM Aerator



T&S BRASS AND BRONZE WORKS, INC.
2 Saddleback Cove, P.O. Box 1088
Travelers Rest, South Carolina 29690

Phone: 800.476.4103 Fax: 800.834.3518, Simi Valley 800.423.0750

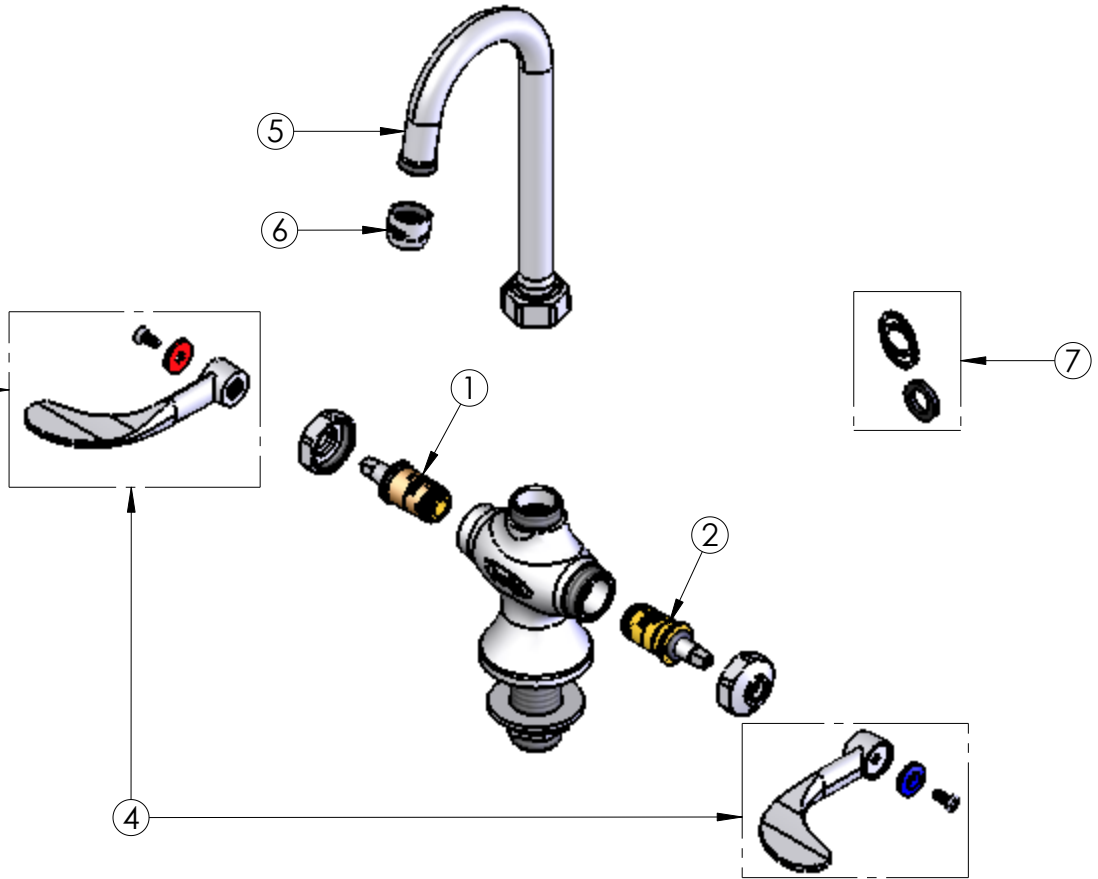


REG. #A2601
ISO #9001

SHEET: 1 of 2

ITEM NO.	SALES NO.	DESCRIPTION
1	Q015383-40	Standard Ceramic Cartridge, Hot
2	Q015384-40	Standard Ceramic Cartridge, Cold
3	Q015975-40	Wrist Action Handle, 1-Pack Kit
4	Q015974-40	Wrist Action Handle, 2-Pack Kit
5	Q015379-40	3 1/2" Gooseneck (GN-A)
6	Q014986-45	Aerator, Female, 2.2 GPM
7	Q016062-45	GN Swivel/Rigid Kit

Note: This Item Kit Includes Both Color Coded Indexes ③



Model Number
Q-138WA

Date
10/23/2006

Scale
1:4

Drawn
DHL

Checked
JRM

Approved
JHB

Qualis
by T&S

Product Specifications:

Single Hole Deck Mount Mixing Faucet,
Ceramic Cartridges, 4" Wrist Action Handles,
3 1/2" Gooseneck (GN-A), 2.2 GPM Aerator



T&S BRASS AND BRONZE WORKS, INC.
2 Saddleback Cove, P.O. Box 1088
Travelers Rest, South Carolina 29690

Phone: 800.476.4103 Fax: 800.834.3518, Simi Valley 800.423.0750



REG. #A2601
ISO #9001