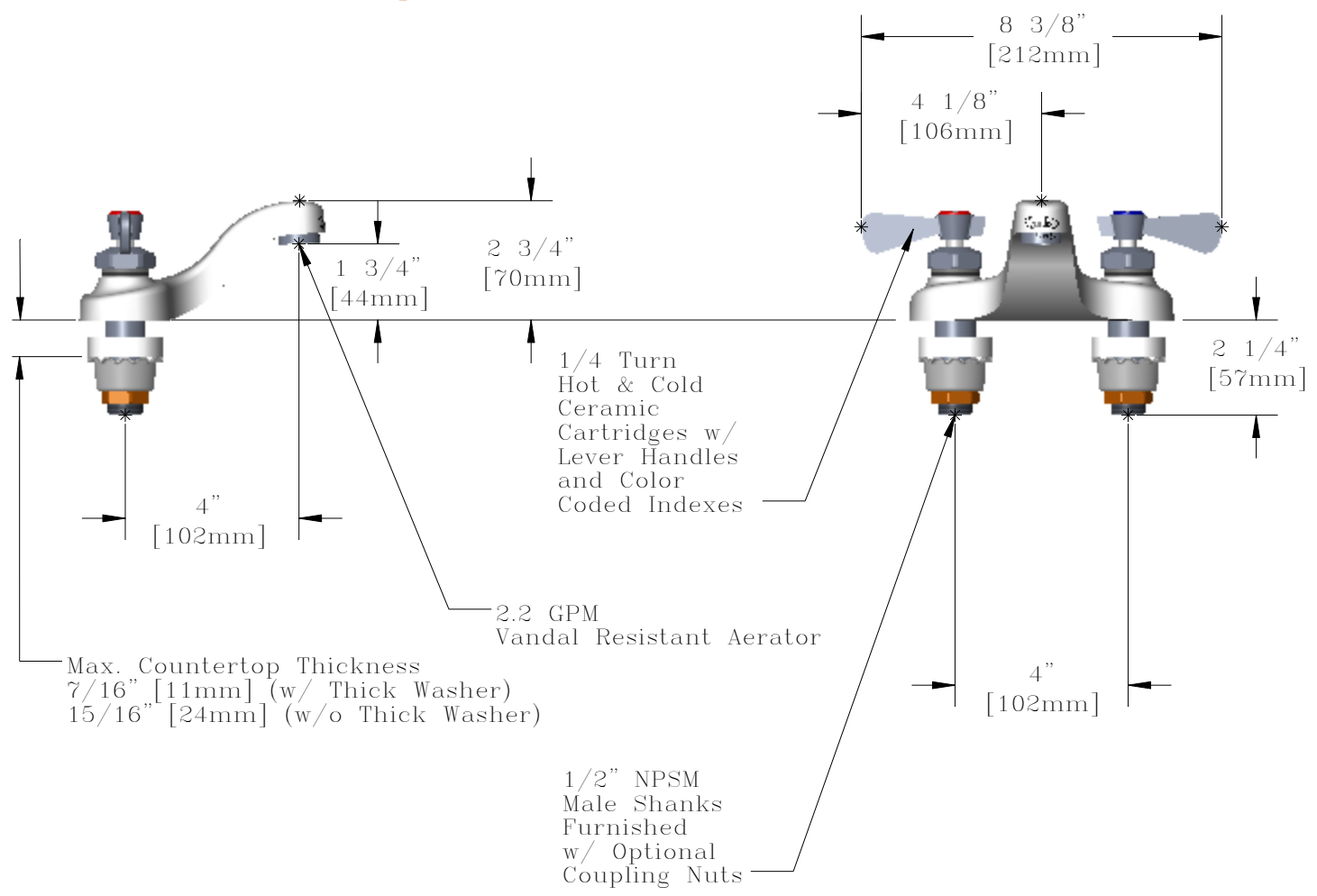
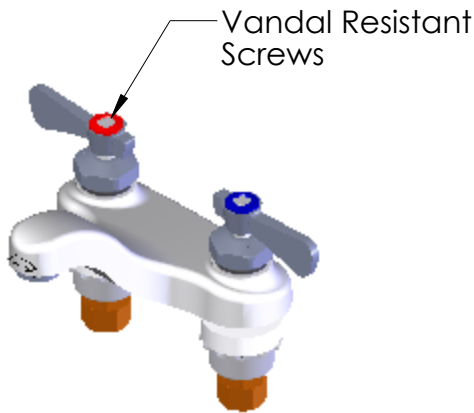




This Space for Architect/Engineer Approval

Job Name _____ Date _____
 Model Specified _____ Quantity _____
 Customer/Wholesaler _____
 Contractor _____
 Architect/Engineer _____



| | | | | | |
|------------------------------|------------------|--------------|--------------|----------------|-----------------|
| Model Number Q-418YZ-VR5A | Date 11/09/06 | Scale 1:4 | Drawn DHL | Checked JRM | Approved JHB |
|------------------------------|------------------|--------------|--------------|----------------|-----------------|

Product Specifications:
4" Centerset Mixing Faucet, Ceramic Cartridges, Lever VR Handles, 2.2 GPM VR Aerator



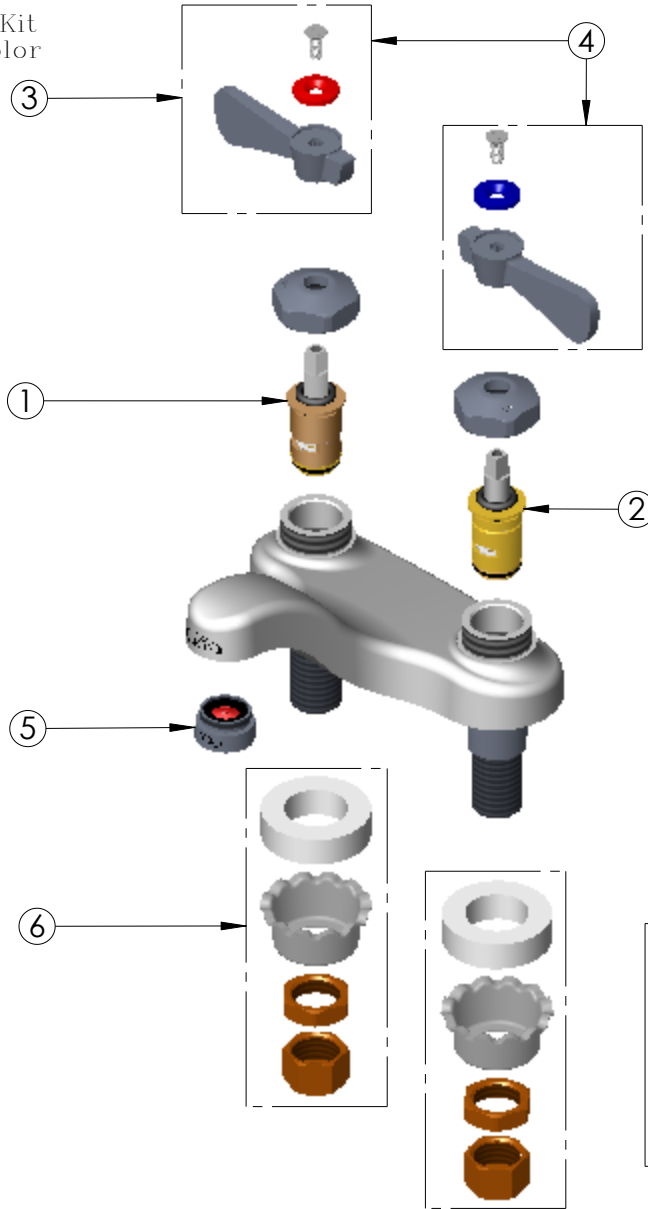
T&S BRASS AND BRONZE WORKS, INC.
 2 Saddleback Cove, P.O. Box 1088
 Travelers Rest, South Carolina 29690
 Phone: 800.476.4103 Fax: 800.834.3518, Simi Valley 800.423.0750





REG. #A2601
 ISO #9001

| ITEM NO. | SALES NO. | DESCRIPTION |
|----------|-------------|--|
| 1 | Q015383-40 | Standard Ceramic Cartridge, Hot |
| 2 | Q015384-40 | Standard Ceramic Cartridge, Cold |
| 3 | Q015973-40 | Lever Handle, 1-Pack w/ Vandal Resistant Screw & Spanner Bit |
| 4 | Q-015972-40 | Lever Handle, 2-Pack w/ Vandal Resistant Screw & Spanner Bit |
| 5 | Q015563-45 | VR 2.2 GPM Male Aerator & Key |
| 7 | Q015424-40 | Shank Hardware |

Note: This Item Kit Includes Both Color Coded Indexes.



| VANDAL RESISTANT TOOLS | |
|---|---|
|  |  |
| AERATOR KEY #Q015425-45 | SPANNER BIT # Q014075-45 |

Model Number
Q-418YZ-VR5A

Date
11/09/06

Scale
1:4

Drawn
DHL

Checked
JRM

Approved
JHB



Product Specifications:

4" Centerset Mixing Faucet, Ceramic Cartridges,
Lever VR Handles, 2.2 GPM VR Aerator



T&S BRASS AND BRONZE WORKS, INC.
2 Saddleback Cove, P.O. Box 1088
Travelers Rest, South Carolina 29690

Phone: 800.476.4103 Fax: 800.834.3518, Simi Valley 800.423.0750



REG. #A2601
ISO #9001