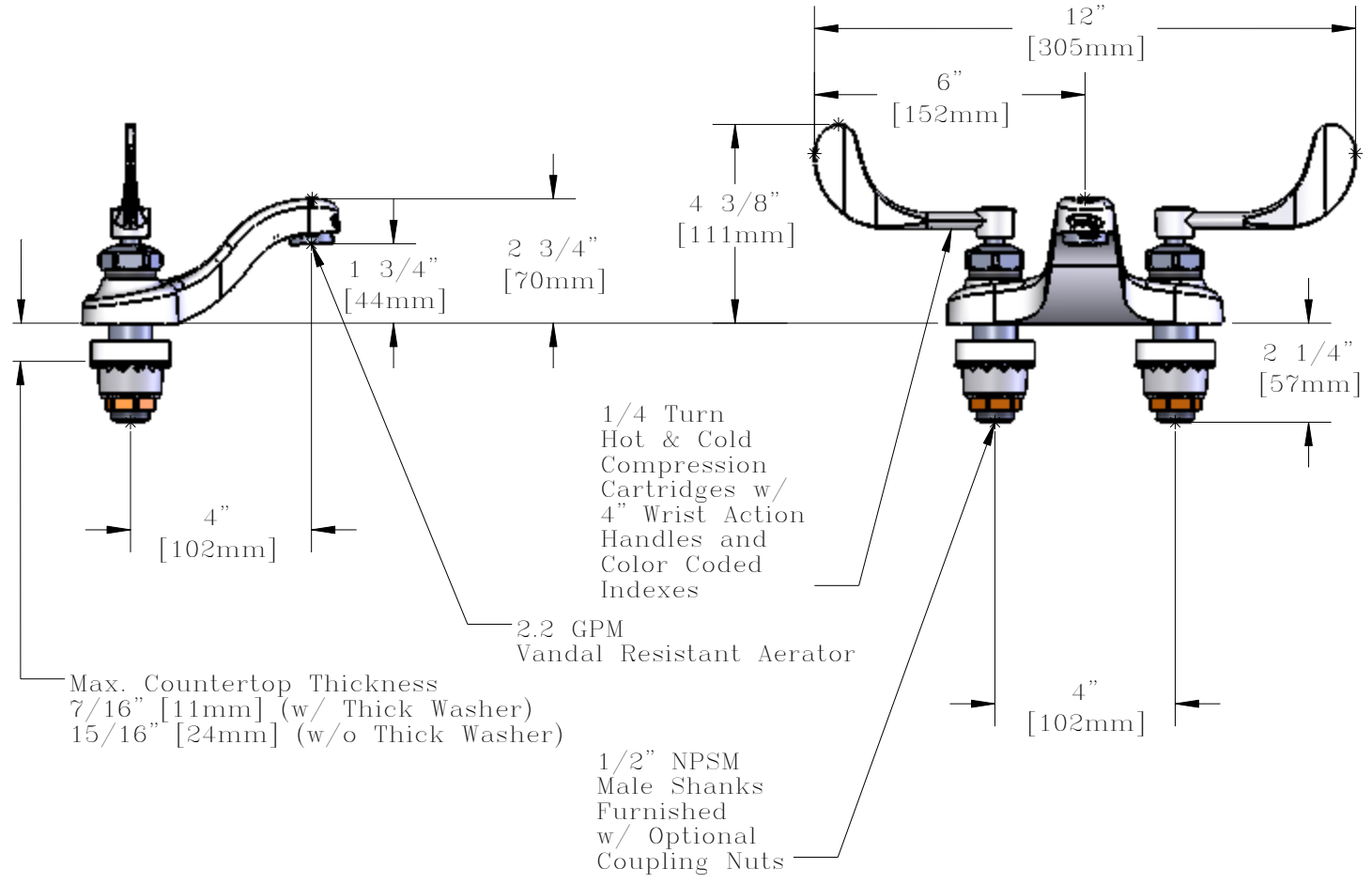
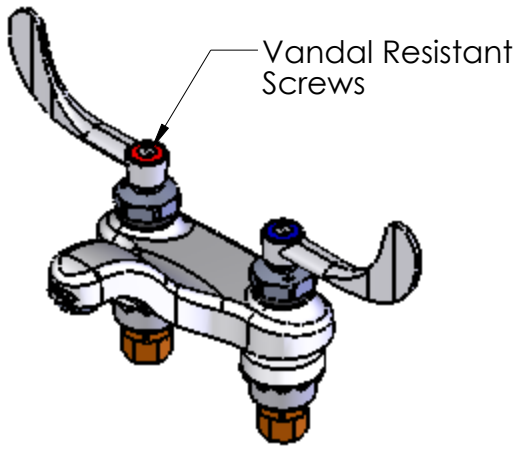




This Space for Architect/Engineer Approval
 Job Name _____ Date _____
 Model Specified _____ Quantity _____
 Customer/Wholesaler _____
 Contractor _____
 Architect/Engineer _____



Model Number Q-419WZ-VR5A	Date 09/27/06	Scale 1:4	Drawn DHL	Checked JRM	Approved JHB
------------------------------	------------------	--------------	--------------	----------------	-----------------



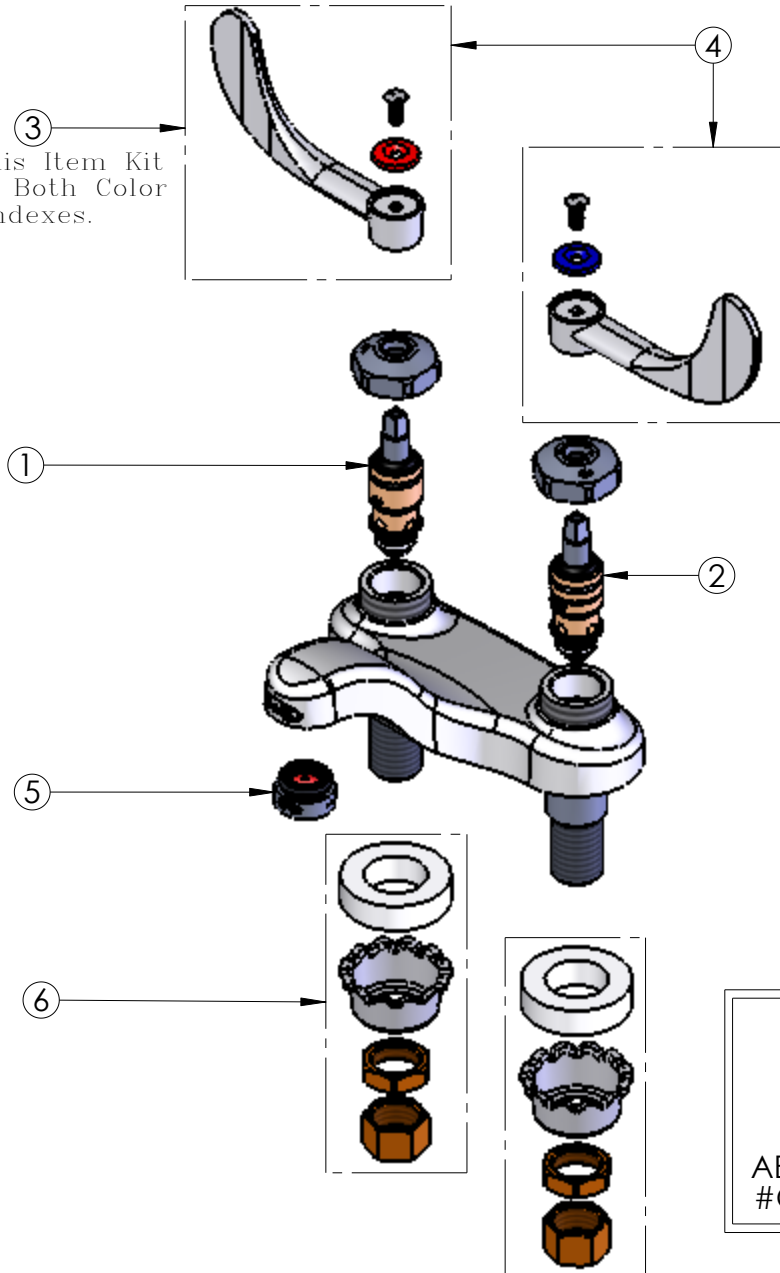
Product Specifications:
 4" Centerset Mixing Faucet, Compression Cartridges, Wrist Action VR Handles, 2.2 GPM VR Aerator



T&S T&S BRASS AND BRONZE WORKS, INC.
 2 Saddleback Cove, P.O. Box 1088
 Travelers Rest, South Carolina 29690
 Phone: 800.476.4103 Fax: 800.834.3518, Simi Valley 800.423.0750



ITEM NO.	SALES NO.	DESCRIPTION
1	Q015387-40	Standard Compression Cartridge, Hot
2	Q015388-40	Standard Compression Cartridge, Cold
3	Q016290-40	Wrist Action Handle, 1-Pack Kit w/ Vandal Resistant Screw & Spanner Bit
4	Q016289-40	Wrist Action Handle, 2-Pack Kit w/ Vandal Resistant Screws & Spanner Bit
5	Q015563-45	2.2 GPM Male VR Aerator & Key
6	Q015424-40	Shank Hardware

Note: This Item Kit Includes Both Color Coded Indexes.



VANDAL RESISTANT TOOLS	
	
AERATOR KEY #Q015425-45	SPANNER BIT # Q014075-45

Model Number
Q-419WZ-VR5A

Date
09/27/06

Scale
1:4

Drawn
DHL

Checked
JRM

Approved
JHB



Product Specifications:

4" Centerset Mixing Faucet, Compression Cartridges,
Wrist Action VR Handles, 2.2 GPM VR Aerator



T&S BRASS AND BRONZE WORKS, INC.
2 Saddleback Cove, P.O. Box 1088
Travelers Rest, South Carolina 29690

Phone: 800.476.4103 Fax: 800.834.3518, Simi Valley 800.423.0750



REG. #A2601
ISO #9001