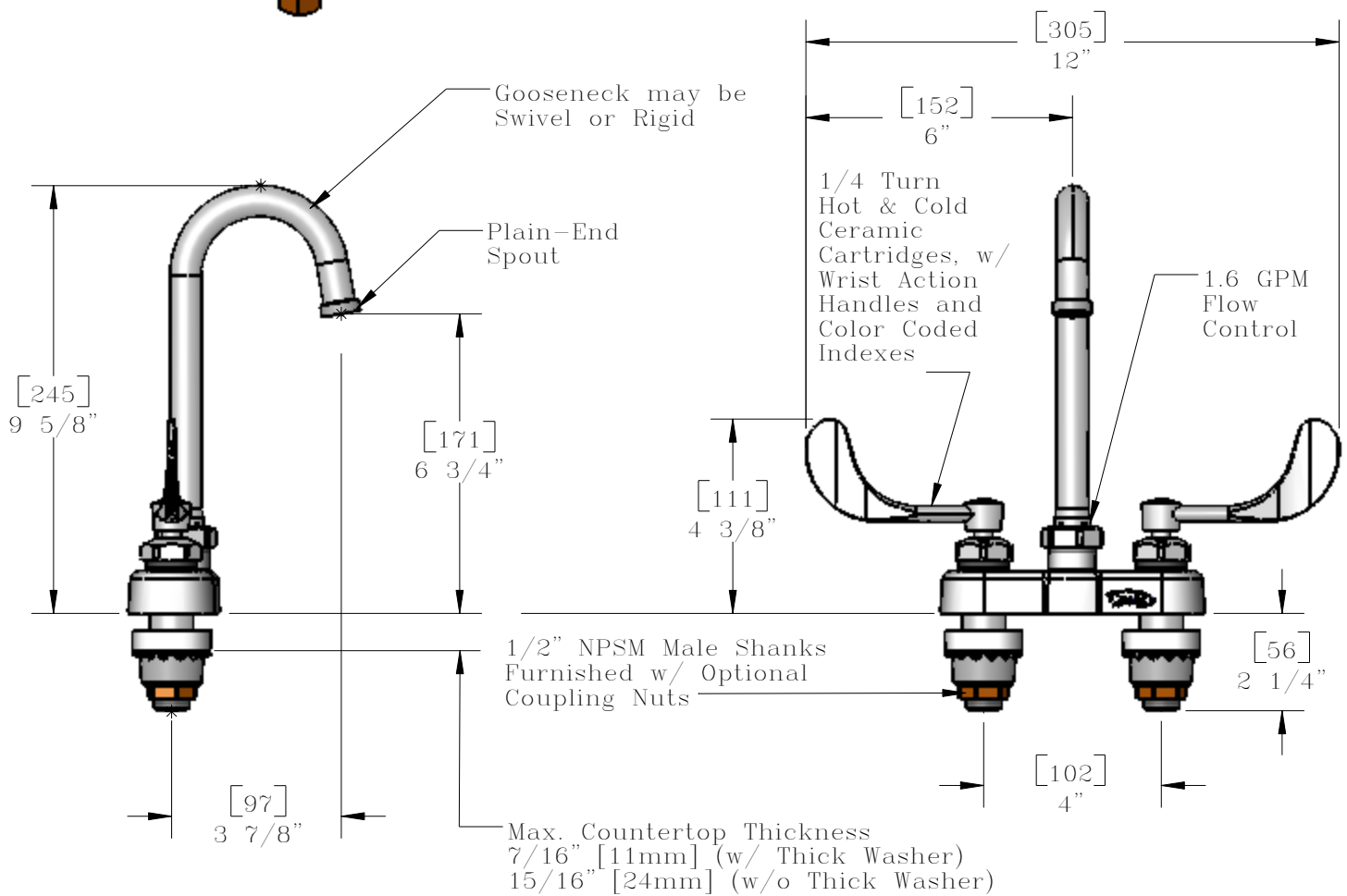
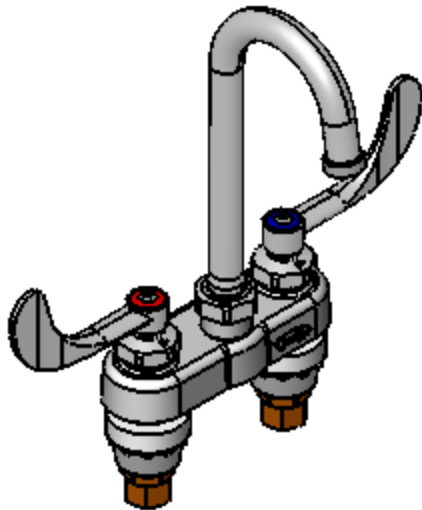




This Space for Architect/Engineer Approval
 Job Name _____ Date _____
 Model Specified _____ Quantity _____
 Customer/Wholesaler _____
 Contractor _____
 Architect/Engineer _____



Model Number Q-438WA-5X	Date 8/14/06	Scale 1:4	Drawn DHL	Checked JRM	Approved JHB
-----------------------------------	------------------------	---------------------	---------------------	-----------------------	------------------------

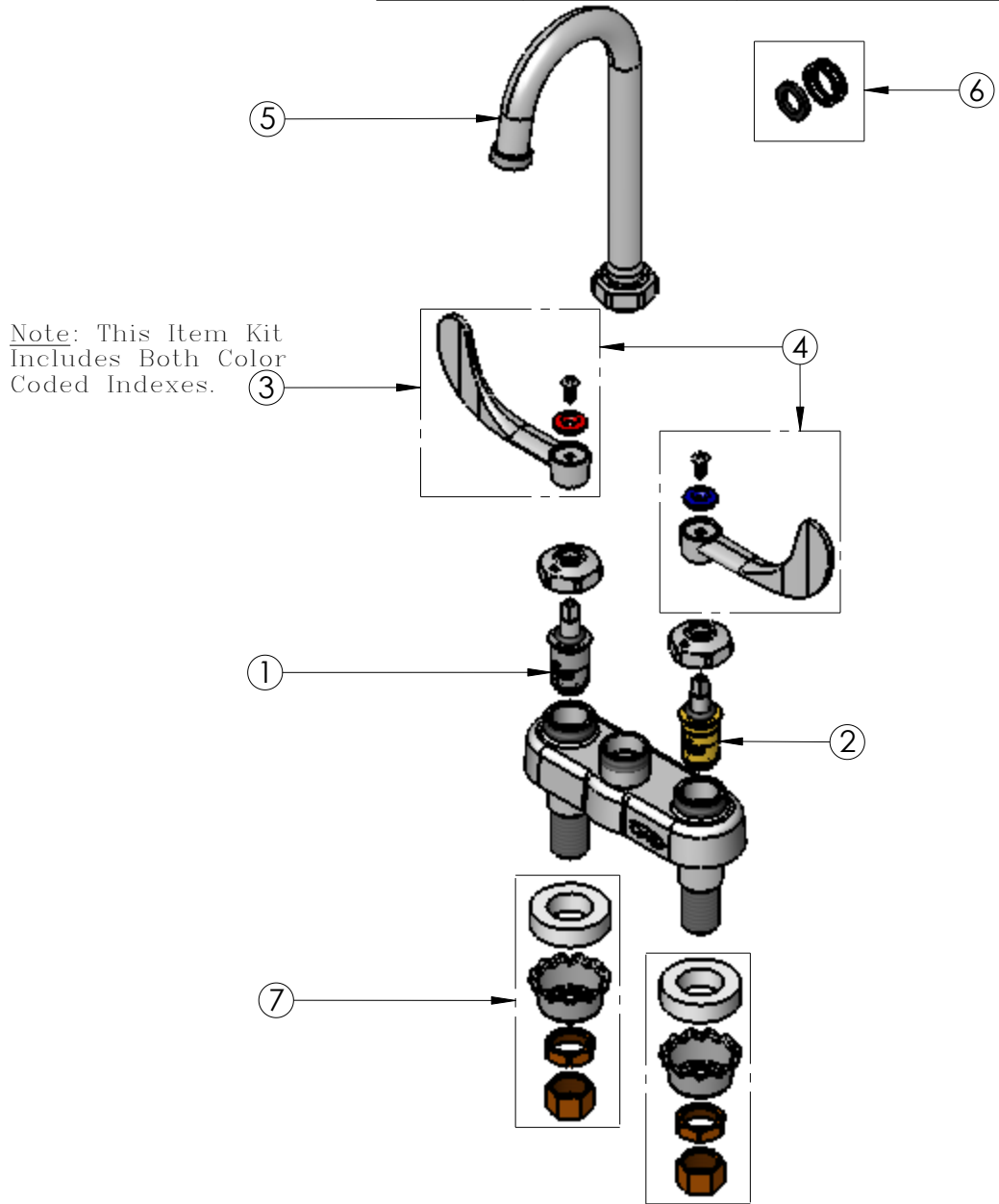


Product Specifications:
**4" Centerset Mixing Faucet, Ceramic Cartridges,
 Wrist Action Handles, 3 1/2" Gooseneck (GN-A),
 1.6 GPM Flow Control**

T&S T&S BRASS AND BRONZE WORKS, INC.
 2 Saddleback Cove, P.O. Box 1088
 Travelers Rest, South Carolina 29690
 Phone: 800.476.4103 Fax: 800.834.3518, Simi Valley 800.423.0750

UL REGISTERED ENTITY
 REG. #A2601
 ISO #9001

ITEM NO.	SALES NO.	DESCRIPTION
1	Q015383-40	Standard Ceramic Cartridge, Hot
2	Q015384-40	Standard Ceramic Cartridge, Cold
3	Q015975-40	Wrist Action Handle, 1-Pack Kit
4	Q015974-40	Wrist Action Handle, 2-Pack Kit
5	Q016233-40	3 1/2" Gooseneck (GN-A) w/ 1.6 GPM Flow Control & Spout Ring
6	Q016062-45	GN Swivel/Rigid Kit
7	Q015424-40	Shank Hardware



Model Number Q-438WA-5X	Date 8/14/06	Scale 1:4	Drawn DHL	Checked JRM	Approved JHB
----------------------------	-----------------	--------------	--------------	----------------	-----------------



Product Specifications:
 4" Centerset Mixing Faucet, Ceramic Cartridges,
 Wrist Action Handles, 3 1/2" Gooseneck (GN-A),
 1.6 GPM Flow Control



T&S BRASS AND BRONZE WORKS, INC.
 2 Saddleback Cove, P.O. Box 1088
 Travelers Rest, South Carolina 29690
 Phone: 800.476.4103 Fax: 800.834.3518, Simi Valley 800.423.0750



REG. #A2601
 ISO #9001