



ADA COMPLIANT

This Space for Architect/Engineer Approval

Job Name _____ Date _____

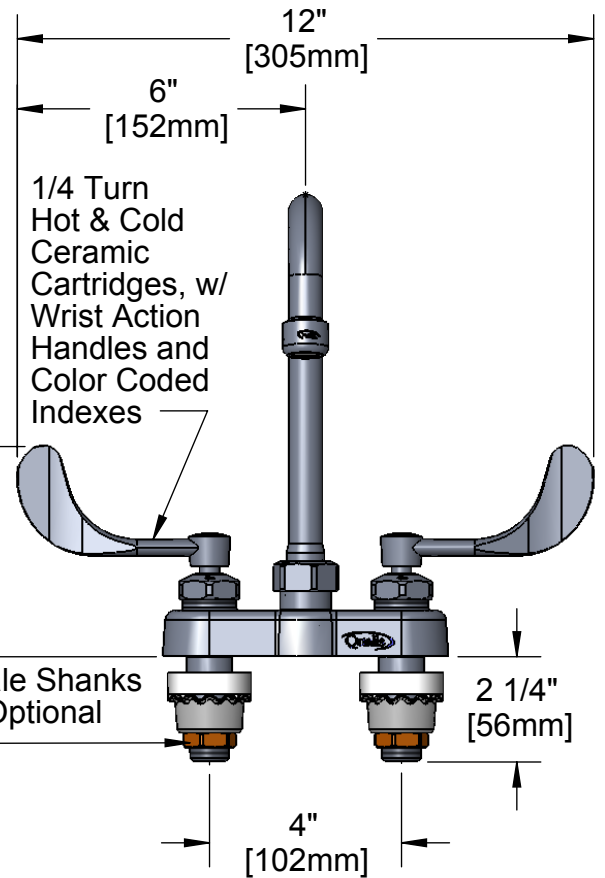
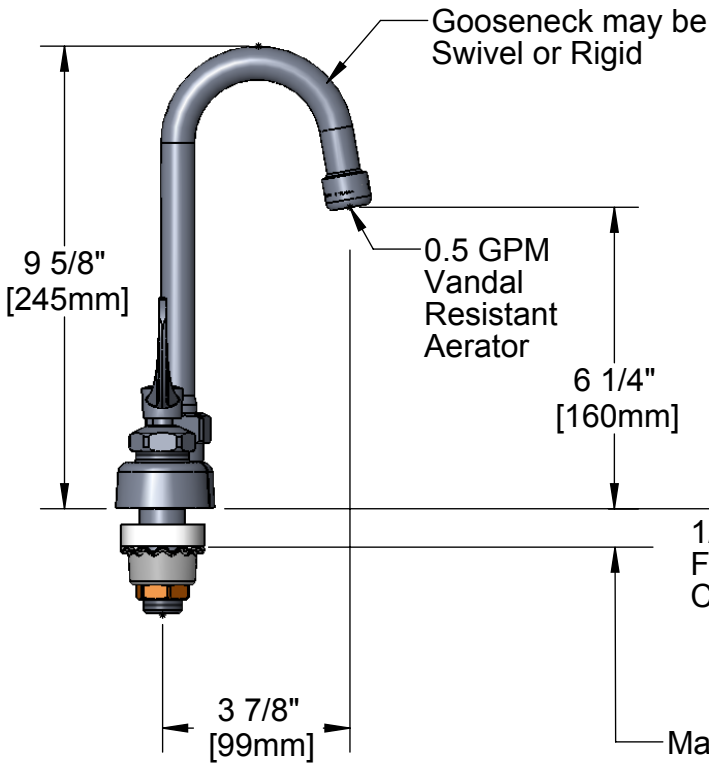
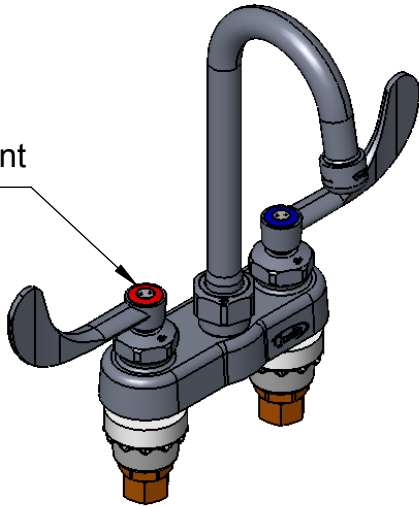
Model Specified _____ Quantity _____

Customer/Wholesaler _____

Contractor _____

Architect/Engineer _____

Vandal Resistant Screw



1/2" NPSM Male Shanks
Furnished w/ Optional
Coupling Nuts

Max. Countertop Thickness
7/16" [11mm] (w/ Thick Washer)
15/16" [24mm] (w/o Thick Washer)

Model Number
Q-438WA-VR5C

Date
02/16/07

Scale
1:4

Drawn
DHL

Checked
JRM

Approved
JHB



Product Specifications:
 4" Centerset Mixing Faucet, Ceramic Cartridges, Wrist Action Handles
 w/ Vandal Resistant Screws, 3 1/2" Gooseneck (GN-A), 0.5 GPM Vandal
 Resistant Aerator

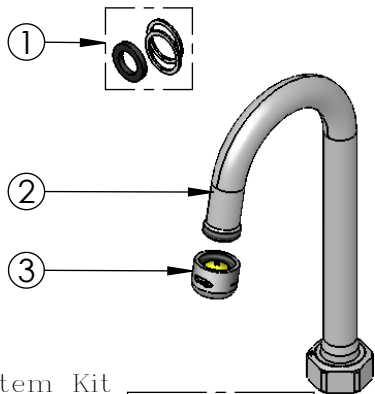


T&S BRASS AND BRONZE WORKS, INC.
 2 Saddleback Cove, P.O. Box 1088
 Travelers Rest, South Carolina 29690
 Phone: 800.476.4103 Fax: 800.834.3518, Simi Valley 800.423.0750

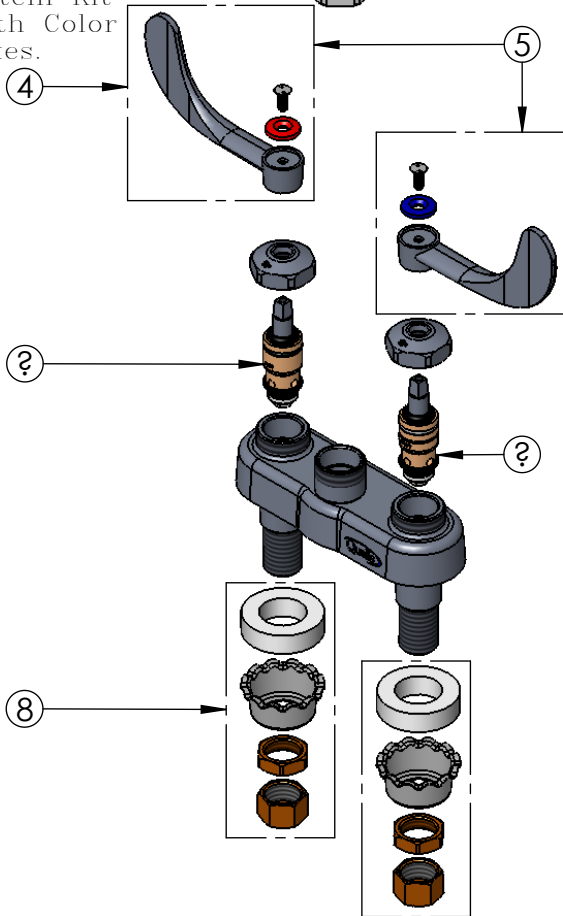


REG. #A2601
 ISO #9001


ITEM NO.	SALES NO.	DESCRIPTION
1	Q016062-45	Kit, Swivel/Rigid Gooseneck Repair
2	Q015379-45	3 1/2" Gooseneck (GN-A)
3	Q016071-45	Aerator, Female, 0.5 VR GPM w/ Key
4	Q015975-40-VR	Wrist Action Handle, 1-Pack w/ Vandal Resistant Screw & Spanner Bit
5	Q015974-40-VR	Wrist Action Handle, 2-Pack w/ Vandal Resistant Screw & Spanner Bit
6	Q015424-40	Shank Hardware
8	Q015387-40	Standard Compression Cartridge, Hot
9	Q-015388-40	Standard Compression Cartridge, Cold




Note: This Item Kit Includes Both Color Coded Indexes.



VANDAL RESISTANT TOOLS



Aerator Key
#Q015425-45



Spanner Bit
#Q014075-45

Model Number
Q-438WA-VR5C

Date
02/16/07

Scale
1:4

Drawn
DHL

Checked
JRM

Approved
JHB



Product Specifications:

4" Centerset Mixing Faucet, Ceramic Cartridges, Wrist Action Handles w/ Vandal Resistant Screws, 3 1/2" Gooseneck (GN-A), 0.5 GPM Vandal Resistant Aerator



T&S BRASS AND BRONZE WORKS, INC.
2 Saddleback Cove, P.O. Box 1088
Travelers Rest, South Carolina 29690

Phone: 800.476.4103 Fax: 800.834.3518, Simi Valley 800.423.0750



REG. #A2601
ISO #9001