



ADA COMPLIANT

This Space for Architect/Engineer Approval

Job Name _____ Date _____

Model Specified _____ Quantity _____

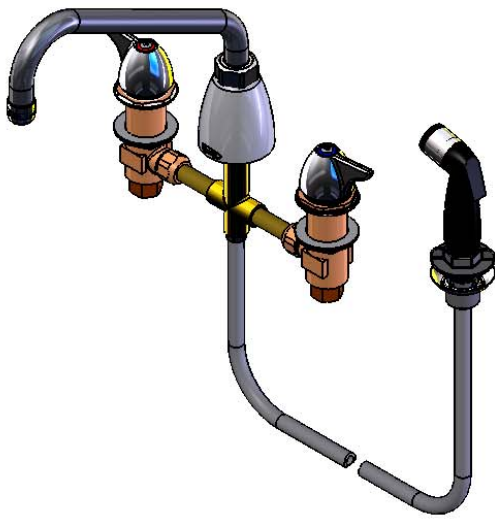
Customer/Wholesaler _____

Contractor _____

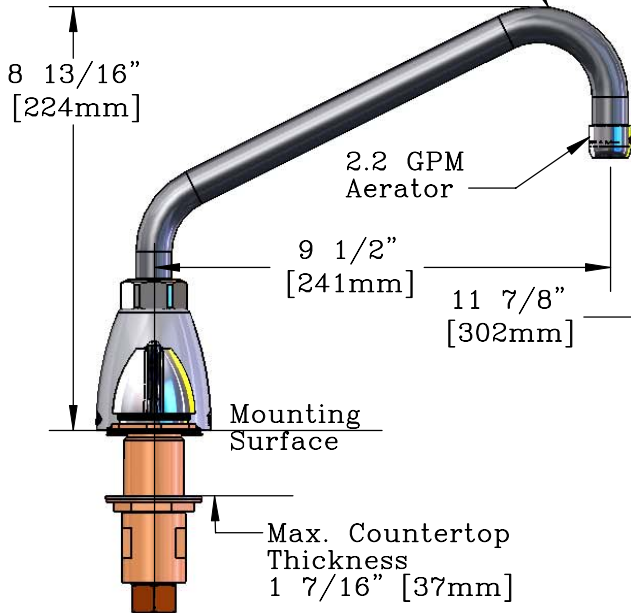
Architect/Engineer _____

Available Options

Model Suffix #	Description
<input type="checkbox"/> -5A	2.2 GPM VR Aerator
<input type="checkbox"/> -5B	0.5 GPM Aerator
<input type="checkbox"/> -5C	0.5 GPM VR Aerator
<input type="checkbox"/> -5D	2.2 GPM Laminar Flow
<input type="checkbox"/> -VR5C	Complete VR Pkg (0.5 GPM)
<input type="checkbox"/> -VR5A	Complete VR Pkg (2.2 GPM)

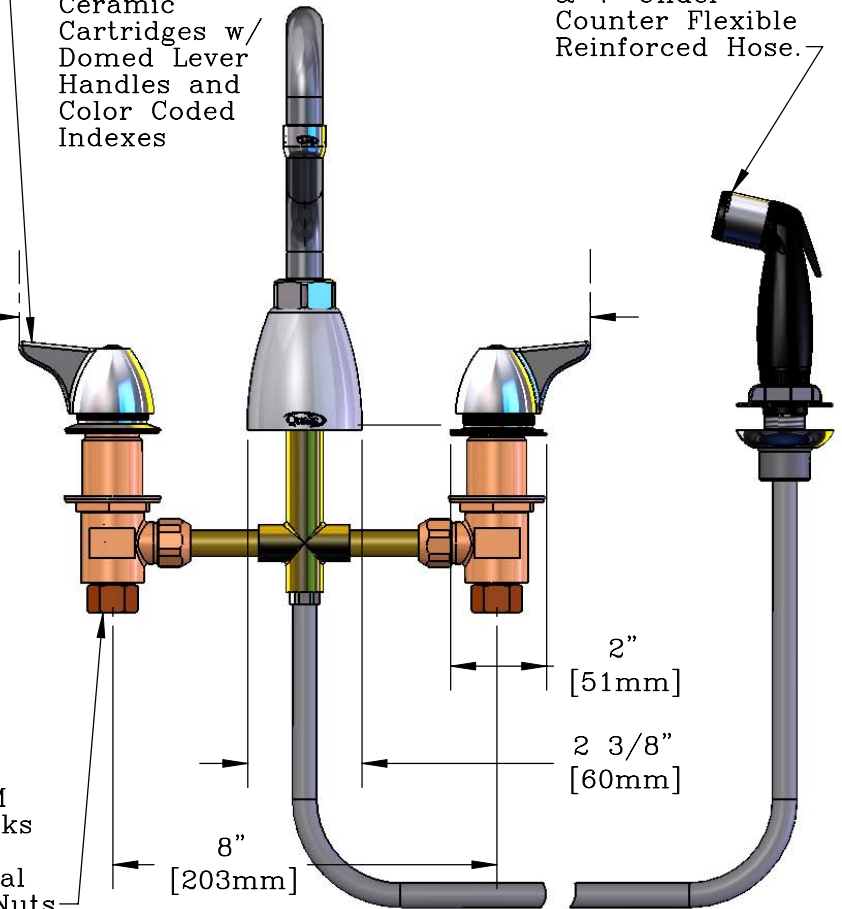


9 1/2" Swivel Spout



1/4 Turn Hot & Cold Ceramic Cartridges w/ Domed Lever Handles and Color Coded Indexes

Black & Chrome Side Spray w/ Automatic Diverter & 4' Under Counter Flexible Reinforced Hose.



Note: Rough-In Requirements (4) Ø1 1/2" [Ø38mm] Holes (Ø1 1/4" [Ø32mm] Minimum)

Model Number Q-858XD-2B

Date 5/09/08

Scale 1:4

Drawn JRM

Checked DHL

Approved JHB



Product Specifications:
8" Widespread Mixing Faucet, Ceramic Cartridges, Domed Lever Handles, 9 1/2" Swivel Spout, 2.2 GPM Aerator, & Sidespray



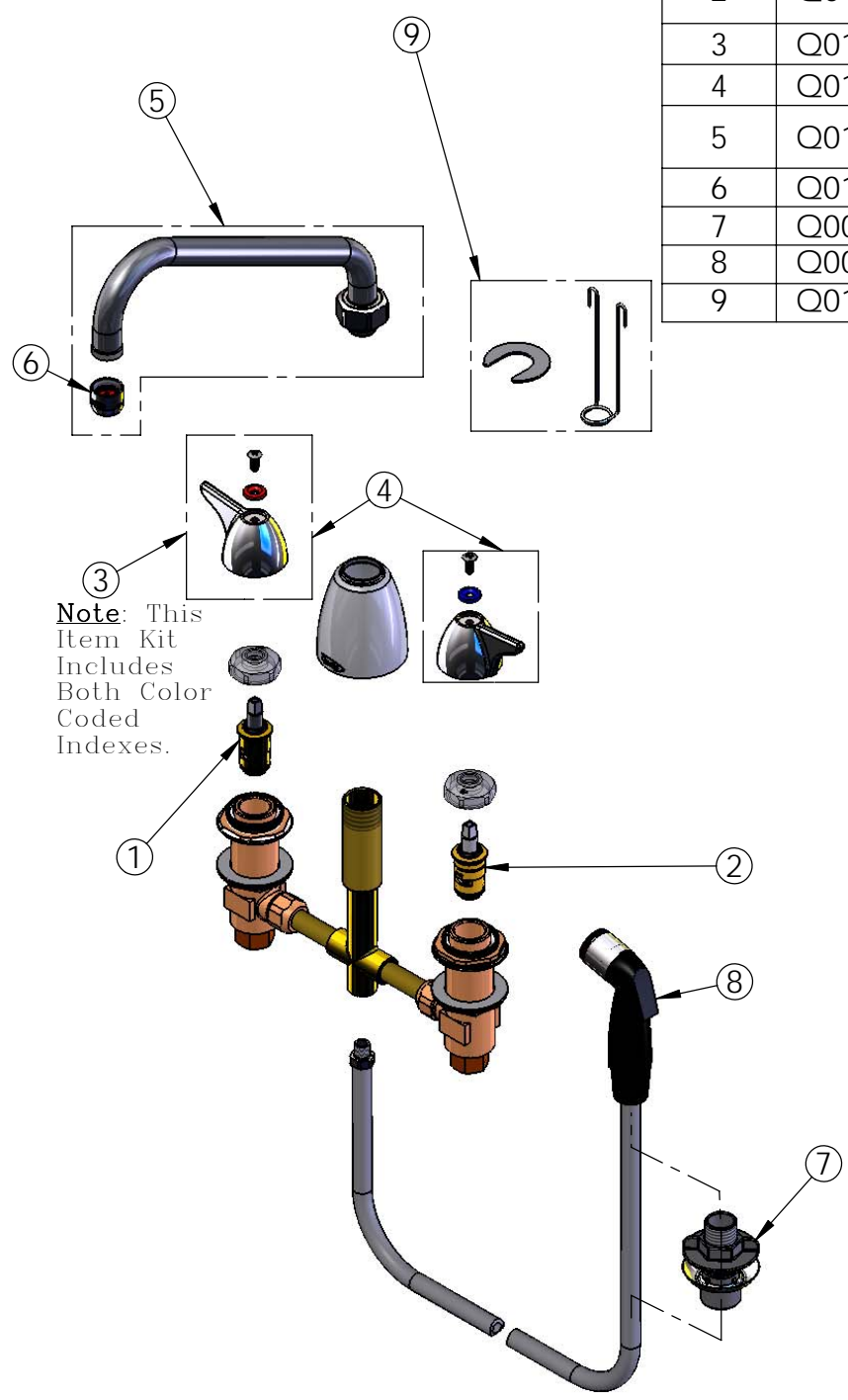
T&S BRASS AND BRONZE WORKS, INC.
2 Saddleback Cove, P.O. Box 1088
Travelers Rest, South Carolina 29690

Phone: 800.476.4103 Fax: 800.834.3518, Simi Valley 800.423.0750



REG. #A2601
ISO #9001

ITEM NO.	SALES NO.	DESCRIPTION
1	Q015383-40	Standard Ceramic Cartridge, Hot
2	Q015384-40	Standard Ceramic Cartridge, Cold
3	Q017063-40	Domed Lever Handle, 1-Pack Kit
4	Q017064-40	Domed Lever Handle, 2-Pack Kit
5	Q016067-40	9 1/2"(SS-D) Gooseneck w/ 2.2 Aerator
6	Q014986-45	Aerator, Female, 2.2 GPM
7	Q001496-45	Hose Guide </td
8	Q001495-45	Sidespray
9	Q015984-45	Trim Installation Package



Model Number Q-858XD-2B	Date 5/09/08	Scale 1:4	Drawn JRM	Checked DHL	Approved JHB
----------------------------	-----------------	--------------	--------------	----------------	-----------------



Product Specifications:
 8" Widespread Mixing Faucet, Ceramic Cartridges,
 Domed Lever Handles, 9 1/2" Swivel Spout,
 2.2 GPM Aerator, & Sidespray



T&S BRASS AND BRONZE WORKS, INC.
 2 Saddleback Cove, P.O. Box 1088
 Travelers Rest, South Carolina 29690
 Phone: 800.476.4103 Fax: 800.834.3518, Simi Valley 800.423.0750



REG. #A2601
 ISO #9001