



ADA COMPLIANT

This Space for Architect/Engineer Approval

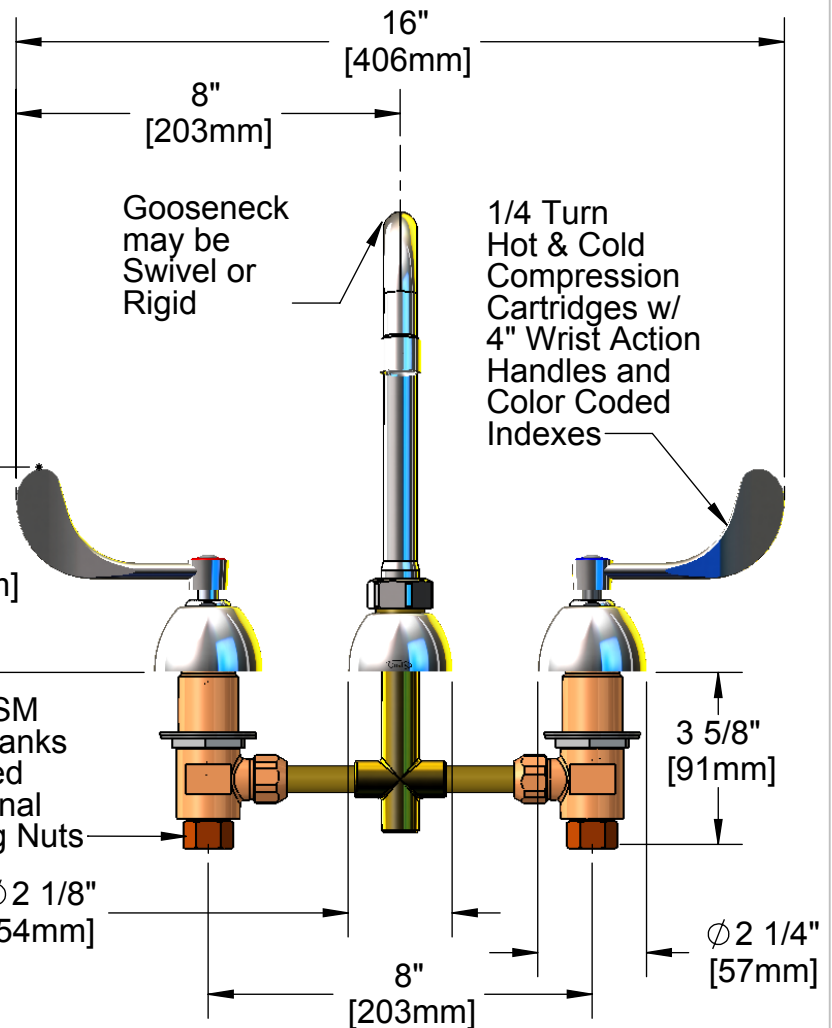
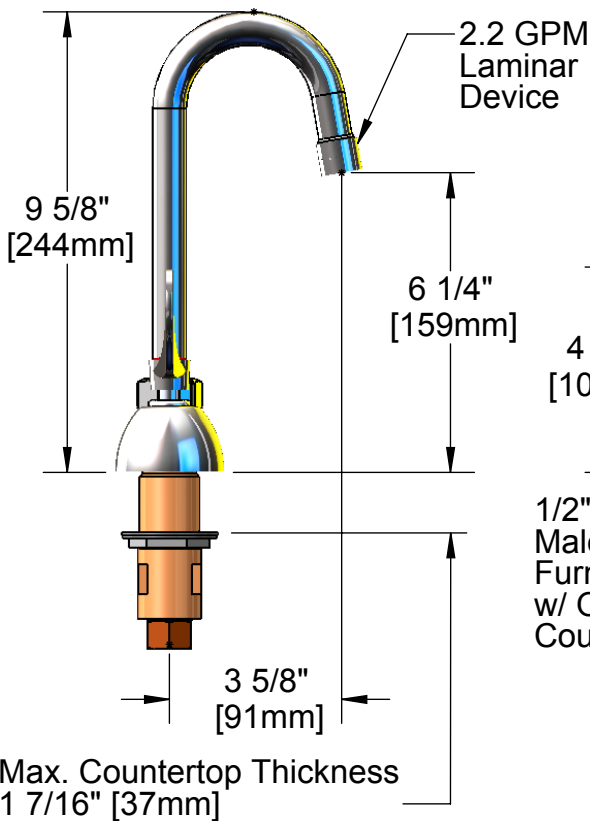
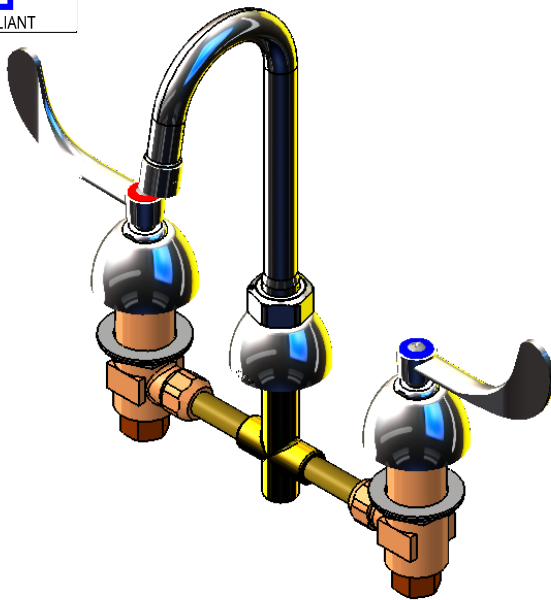
Job Name _____ Date _____

Model Specified _____ Quantity _____

Customer/Wholesaler _____

Contractor _____

Architect/Engineer _____



Model Number
Q-859WA-5D

Date
02/27/08

Scale
1:4

Drawn
DHL

Checked
JRM

Approved
JHB



Product Specifications:
8" Widespread Mixing Faucet, Compression Cartridges, Wrist Action Handles, 3 1/2" Gooseneck (GN-A) & 2.2 GPM Laminar Device



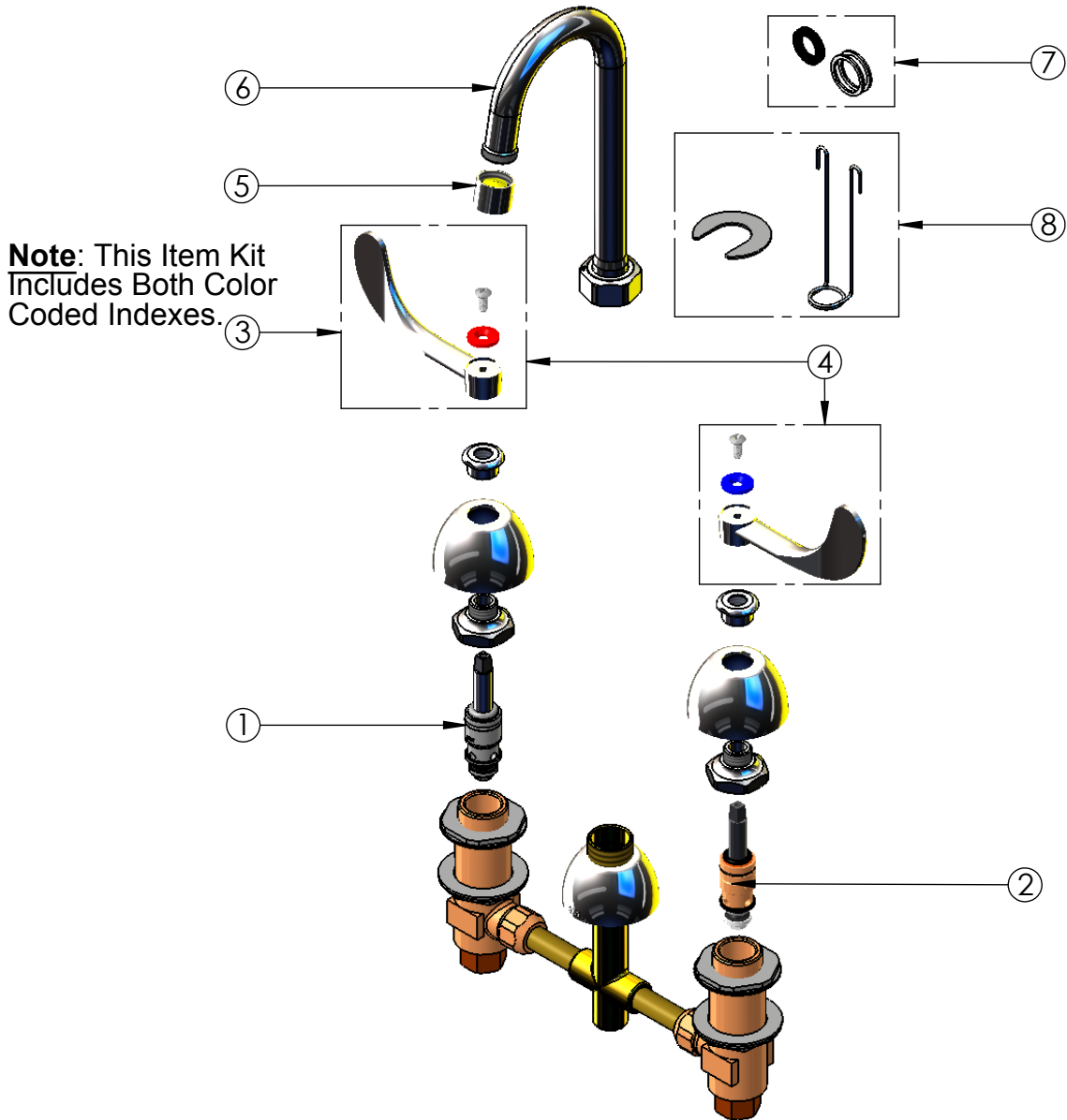
T&S BRASS AND BRONZE WORKS, INC.
2 Saddleback Cove, P.O. Box 1088
Travelers Rest, South Carolina 29690

Phone: 800.476.4103 Fax: 800.834.3518, Simi Valley 800.423.0750



REG. #A2601
ISO #9001

ITEM NO.	SALES NO.	DESCRIPTION
1	Q015389-40	Long Compression Cartridge, Hot
2	Q015390-40	Long Compression Cartridge, Cold
3	Q015975-40	Wrist Action Handle, 1-Pack Kit
4	Q015974-40	Wrist Action Handle, 2-Pack Kit
5	Q016075-45	Laminar Device, 2.2 GPM
6	Q015379-40	3 1/2" Gooseneck (GN-A)
7	Q016062-45	GN Swivel/Rigid Kit
8	Q015984-45	Trim Installation Package



Model Number
Q-859WA-5D

Date
02/27/08

Scale
1:4

Drawn
DHL

Checked
JRM

Approved
JHB



Product Specifications:
8" Widespread Mixing Faucet, Compression Cartridges,
Wrist Action Handles, 3 1/2" Gooseneck (GN-A) &
2.2 GPM Laminar Device



T&S BRASS AND BRONZE WORKS, INC.
2 Saddleback Cove, P.O. Box 1088
Travelers Rest, South Carolina 29690

Phone: 800.476.4103 Fax: 800.834.3518, Simi Valley 800.423.0750



REG. #A2601
ISO #9001