



ADA COMPLIANT

This Space for Architect/Engineer Approval

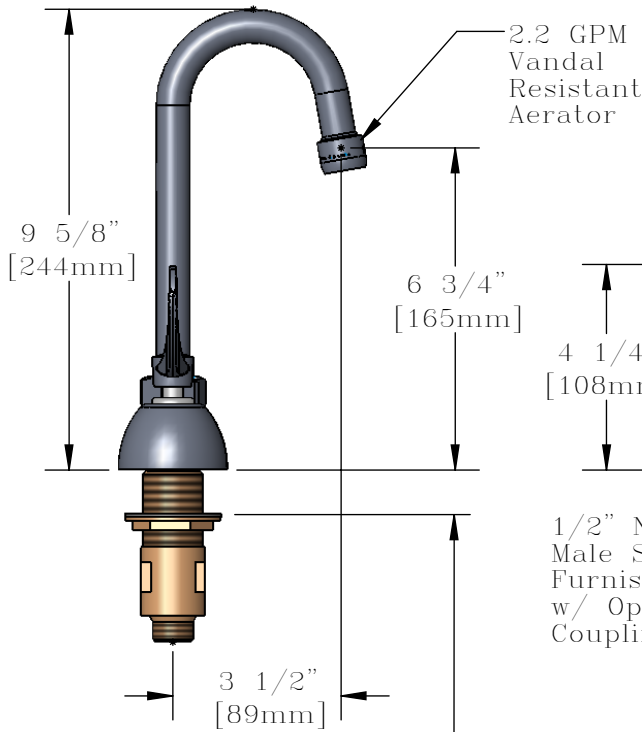
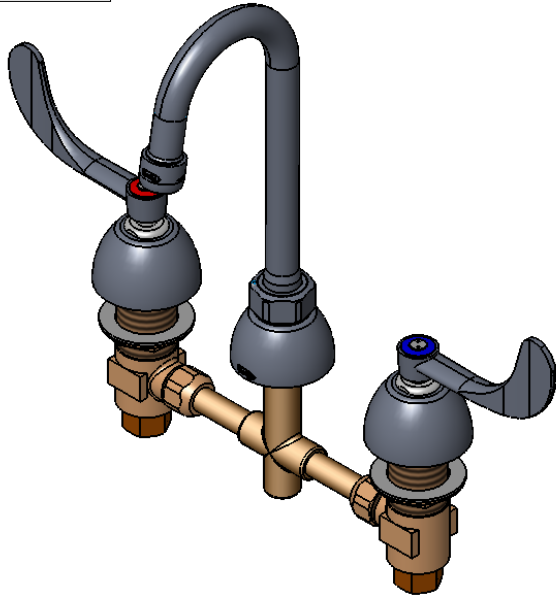
Job Name _____ Date _____

Model Specified _____ Quantity _____

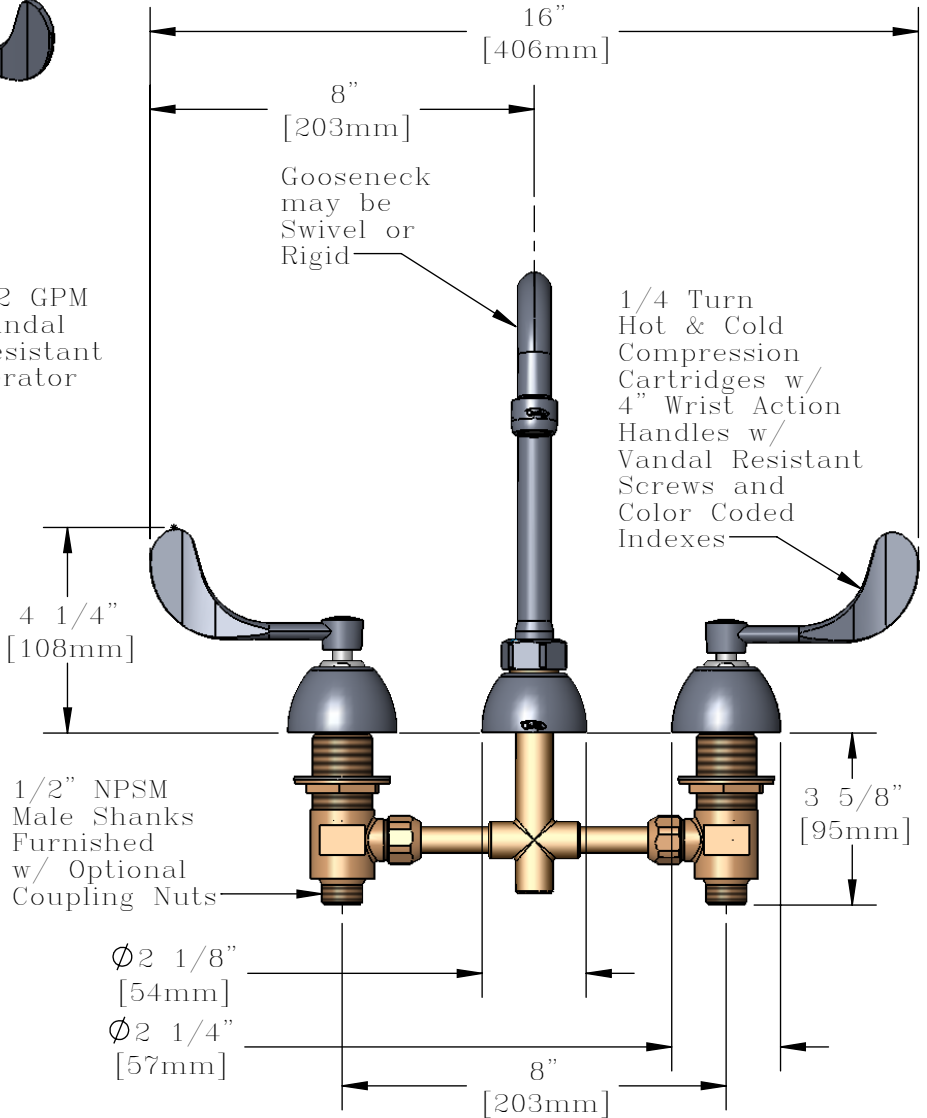
Customer/Wholesaler _____

Contractor _____

Architect/Engineer _____



Max. Countertop Thickness 1 7/16" [37mm]



Model Number Q-859WA-VR5A

Date 11/14/07

Scale 1:4

Drawn DHL

Checked JRM

Approved JHB



Product Specifications:
8" Widespread Mixing Faucet, Compression Cartridges, Wrist Action Handles w/ Vandal Resistant Screws, 3 1/2" Gooseneck (GN-A), 2.2 GPM Vandal Resistant Aerator



T&S BRASS AND BRONZE WORKS, INC.
2 Saddleback Cove, P.O. Box 1088
Travelers Rest, South Carolina 29690

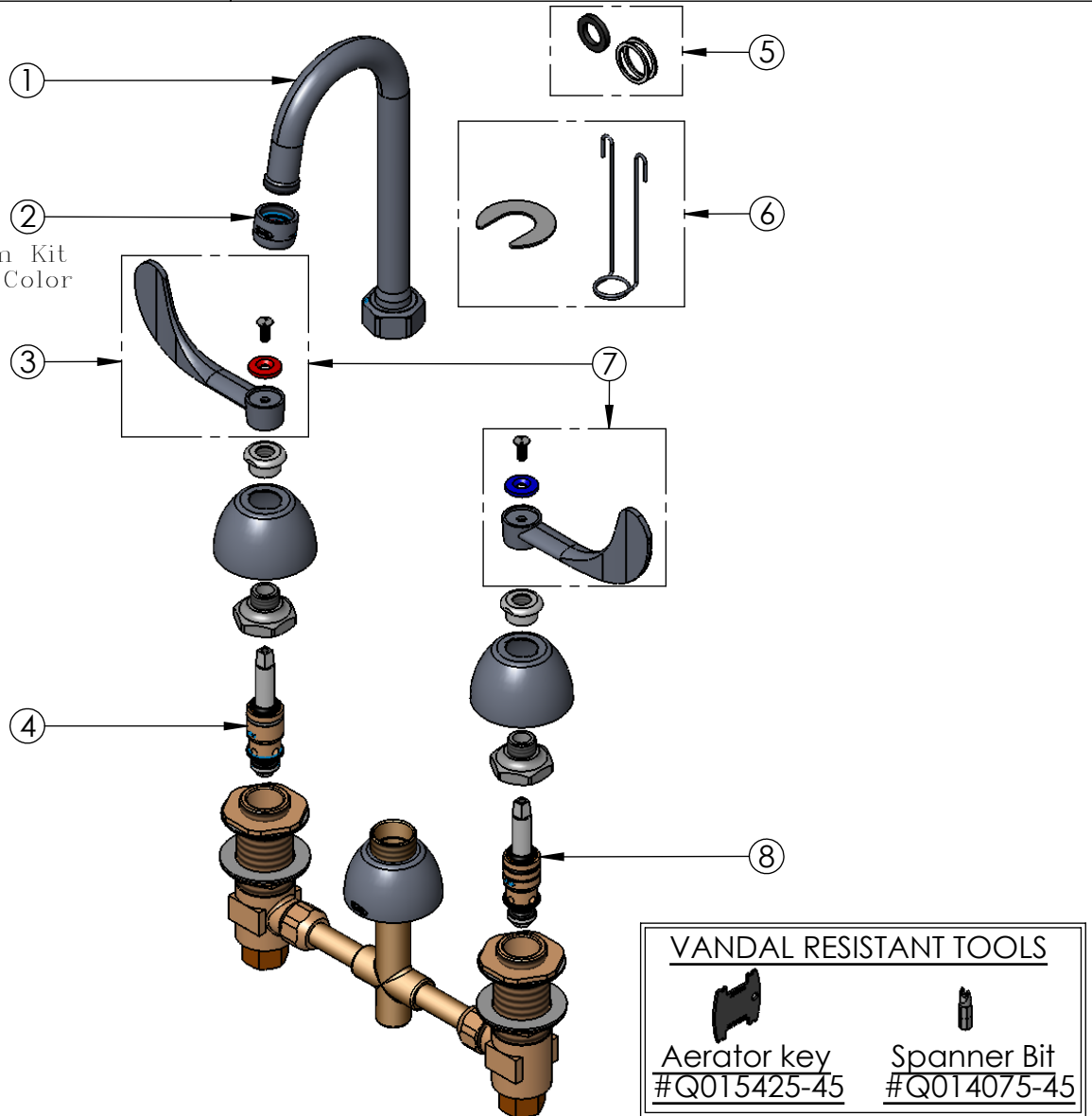
Phone: 800.476.4103 Fax: 800.834.3518, Simi Valley 800.423.0750



REG. #A2601
ISO #9001

ITEM NO.	SALES NO.	DESCRIPTION
1	Q015379-40	3 1/2" Gooseneck (GN-A)
2	Q016076-45	Aerator, 2.2 GPM VR Female w/ Key
3	Q015975-40-VR	Wrist Action Handle, 1-Pack w/ Vandal Resistant Screw & Spanner Bit
4	Q015389-40	Long Compression Cartridge, Hot
5	Q016062-45	GN Swivel/Rigid Kit
6	Q015984-45	Trim Installation Package
7	Q015974-40-VR	Wrist Action Handle, 2-Pack w/ Vandal Resistant Screws & Spanner Bit
8	Q015390-40	Long Compression Cartridge, Cold

Note: This Item Kit Includes Both Color Coded Indexes.



Model Number
Q-859WA-VR5A

Date
11/14/07

Scale
1:4

Drawn
DHL

Checked
JRM

Approved
JHB

Qualis
by T&S

Product Specifications:
8" Widespread Mixing Faucet, Compression Cartridges, Wrist Action Handles w/ Vandal Resistant Screws, 3 1/2" Gooseneck (GN-A), 2.2 GPM Vandal Resistant Aerator



T&S BRASS AND BRONZE WORKS, INC.
2 Saddleback Cove, P.O. Box 1088
Travelers Rest, South Carolina 29690

Phone: 800.476.4103 Fax: 800.834.3518, Simi Valley 800.423.0750



REG. #A2601
ISO #9001