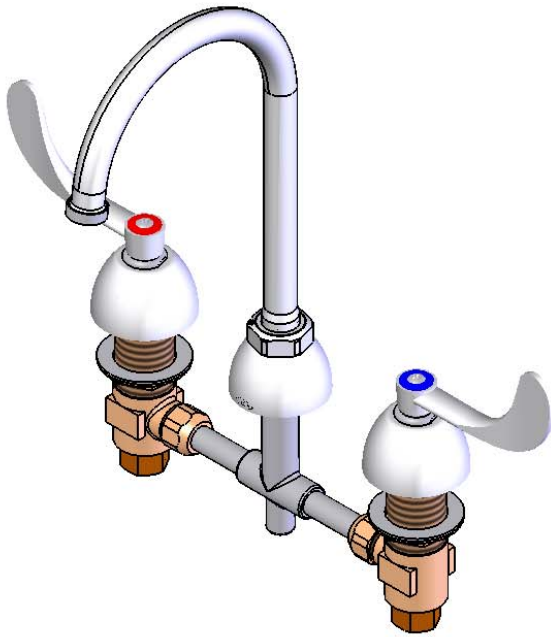




ADA COMPLIANT



*This Space for Architect/Engineer Approval*

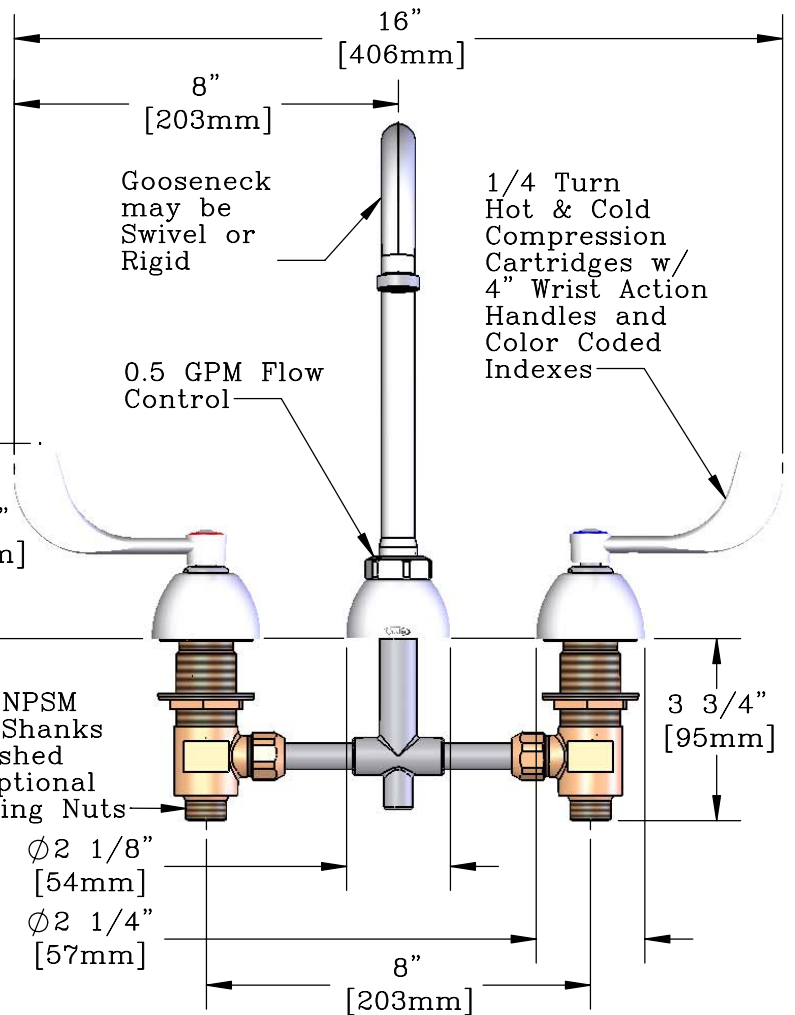
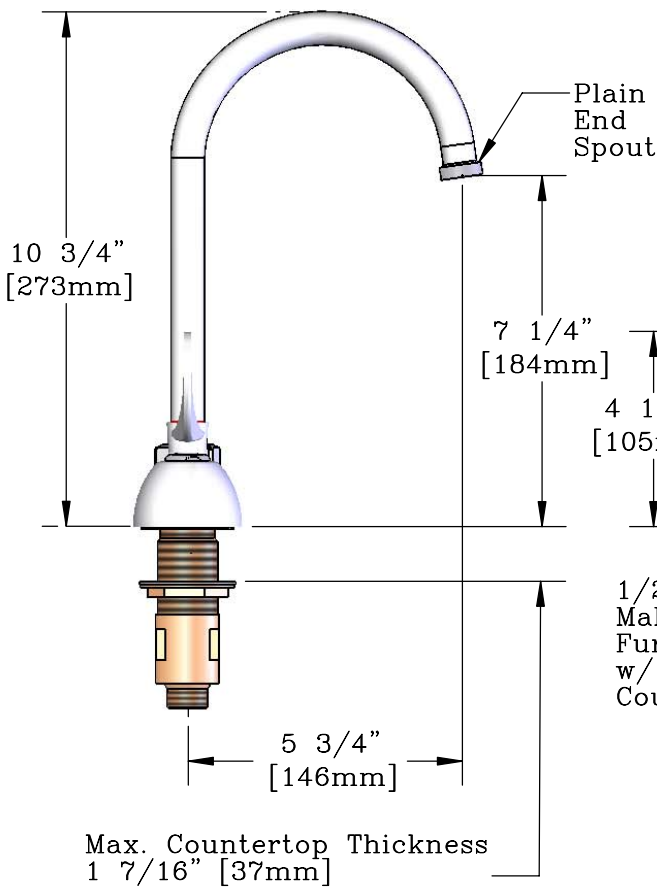
Job Name \_\_\_\_\_ Date \_\_\_\_\_

Model Specified \_\_\_\_\_ Quantity \_\_\_\_\_

Customer/Wholesaler \_\_\_\_\_

Contractor \_\_\_\_\_

Architect/Engineer \_\_\_\_\_



Model Number Q-859WB-5V	Date 3/17/2006	Scale 1:4	Drawn DHL	Checked JRM	Approved JHB
----------------------------	-------------------	--------------	--------------	----------------	-----------------



Product Specifications:  
**8" Widespread Mixing Faucet, Compression Cartridges, Wrist Action Handles, 5 3/4" Gooseneck (GN-B), 0.5 GPM Flow Control**

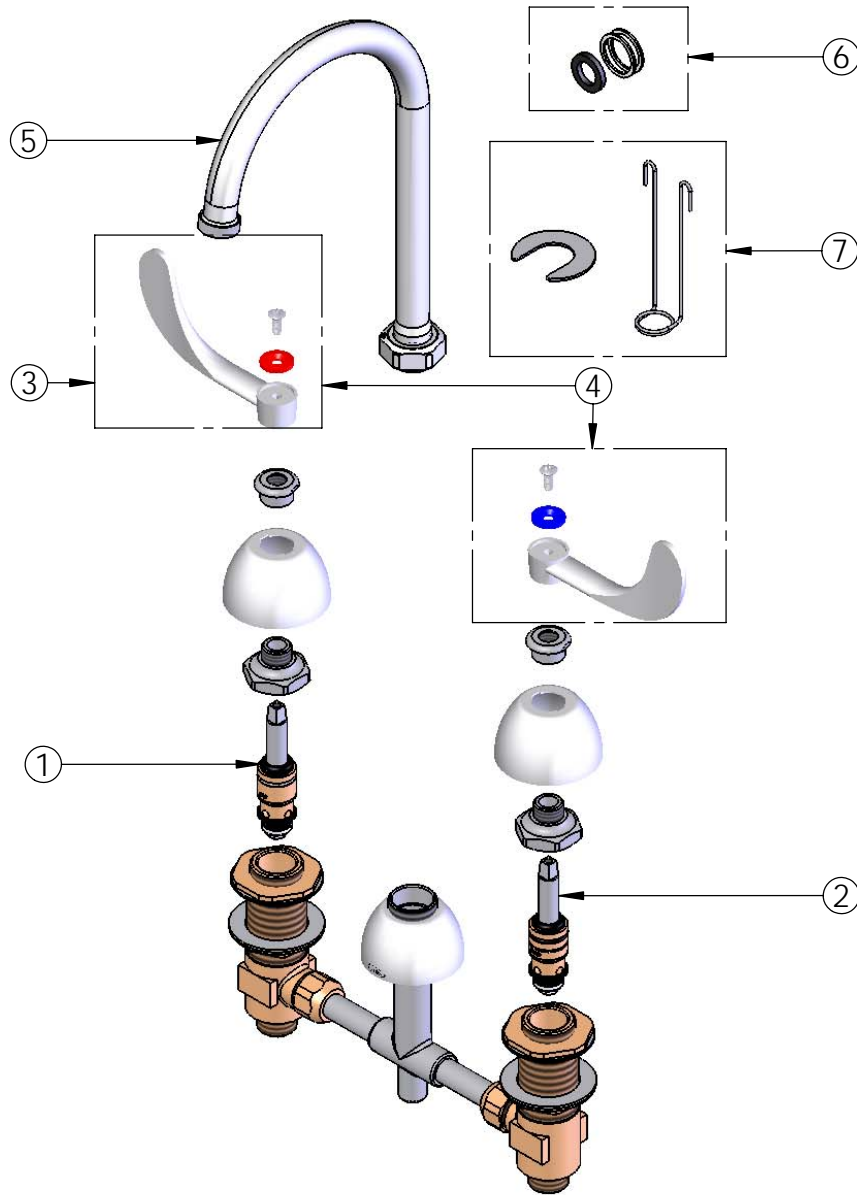


T&S BRASS AND BRONZE WORKS, INC.  
 2 Saddleback Cove, P.O. Box 1088  
 Travelers Rest, South Carolina 29690  
 Phone: 800.476.4103 Fax: 800.834.3518, Simi Valley 800.423.0750



REG. #A2601  
 ISO #9001

ITEM NO.	SALES NO.	DESCRIPTION
1	Q015389-40	Long Compression Cartridge, Hot
2	Q015390-40	Long Compression Cartridge, Cold
3	Q015975-40	Wrist Action Handle, 1-Pack Kit
4	Q015974-40	Wrist Action Handle, 2-Pack Kit
5	Q015897-40	5 3/4" Gooseneck (GN-B)w/0.5 GPM Flow Control
6	Q016062-45	GN Swivel/Rigid Kit
7	Q015984-45	Trim Installation Package



**Note:** This Item Kit Includes Both Color Coded Indexes.

Model Number Q-859WB-5V	Date 3/17/2006	Scale 1:4	Drawn DHL	Checked JRM	Approved JHB
----------------------------	-------------------	--------------	--------------	----------------	-----------------



Product Specifications:  
8" Widespread Mixing Faucet, Compression Cartridges,  
Wrist Action Handles, 5 3/4" Gooseneck (GN-B),  
0.5 GPM Flow Control



T&S BRASS AND BRONZE WORKS, INC.  
2 Saddleback Cove, P.O. Box 1088  
Travelers Rest, South Carolina 29690

Phone: 800.476.4103 Fax: 800.834.3518, Simi Valley 800.423.0750



REG. #A2601  
ISO #9001