



ADA COMPLIANT

This Space for Architect/Engineer Approval

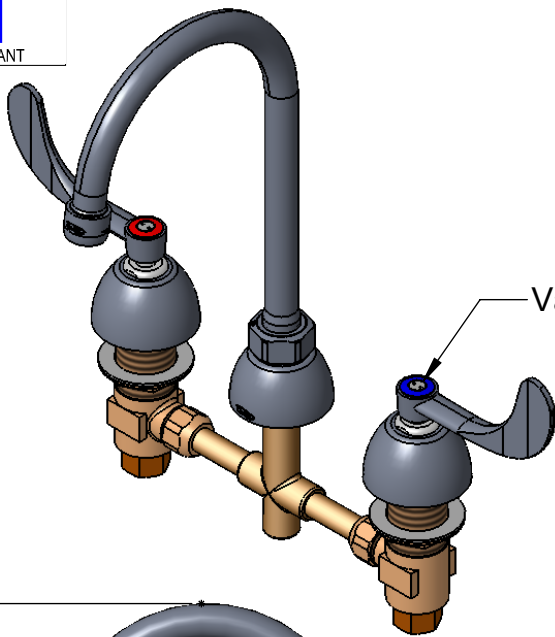
Job Name _____ Date _____

Model Specified _____ Quantity _____

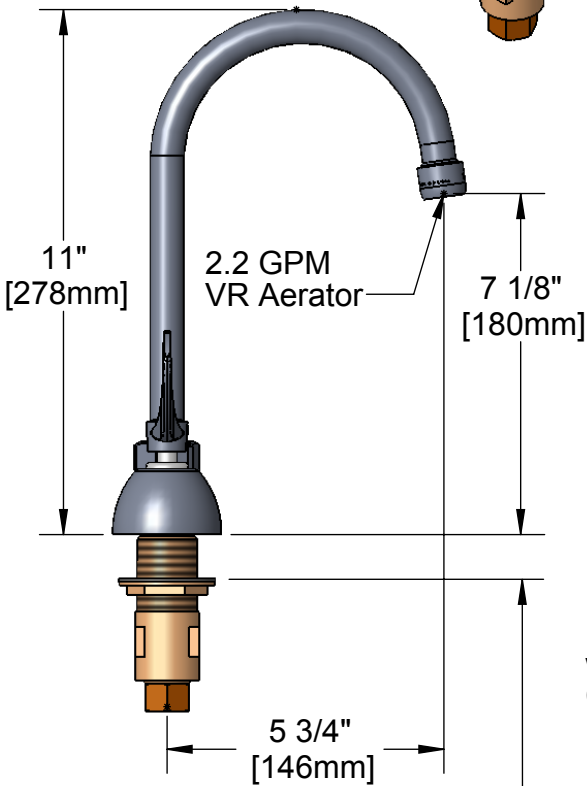
Customer/Wholesaler _____

Contractor _____

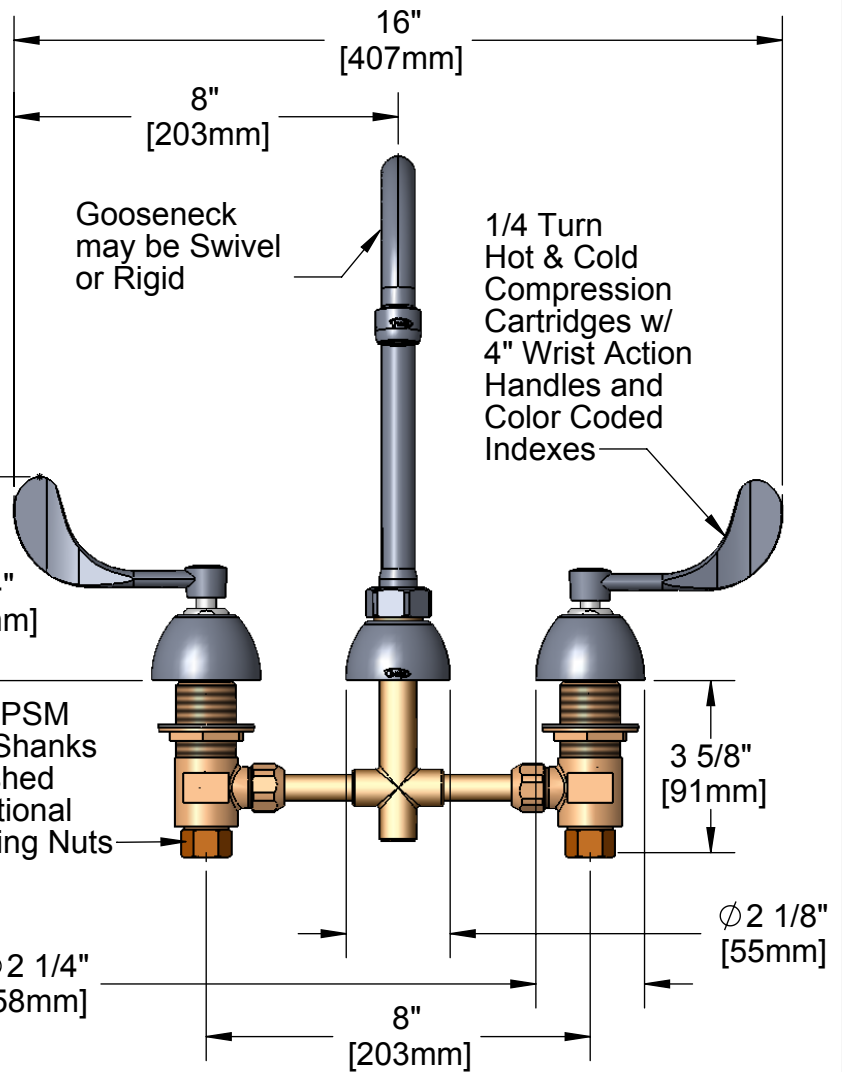
Architect/Engineer _____



Vandal Resistant Screws



Max. Countertop Thickness
1 7/16" [37mm]



Model Number
Q-859WB-VR5A

Date
02/16/07

Scale
1:4

Drawn
DHL

Checked
JRM

Approved
JHB



Product Specifications:

8" Widespread Mixing Faucet, Compression Cartridges, Wrist Action Handles w/ Vandal Resistant Screws, 5 3/4" Gooseneck (GN-B), 2.2 GPM Vandal Resistant Aerator



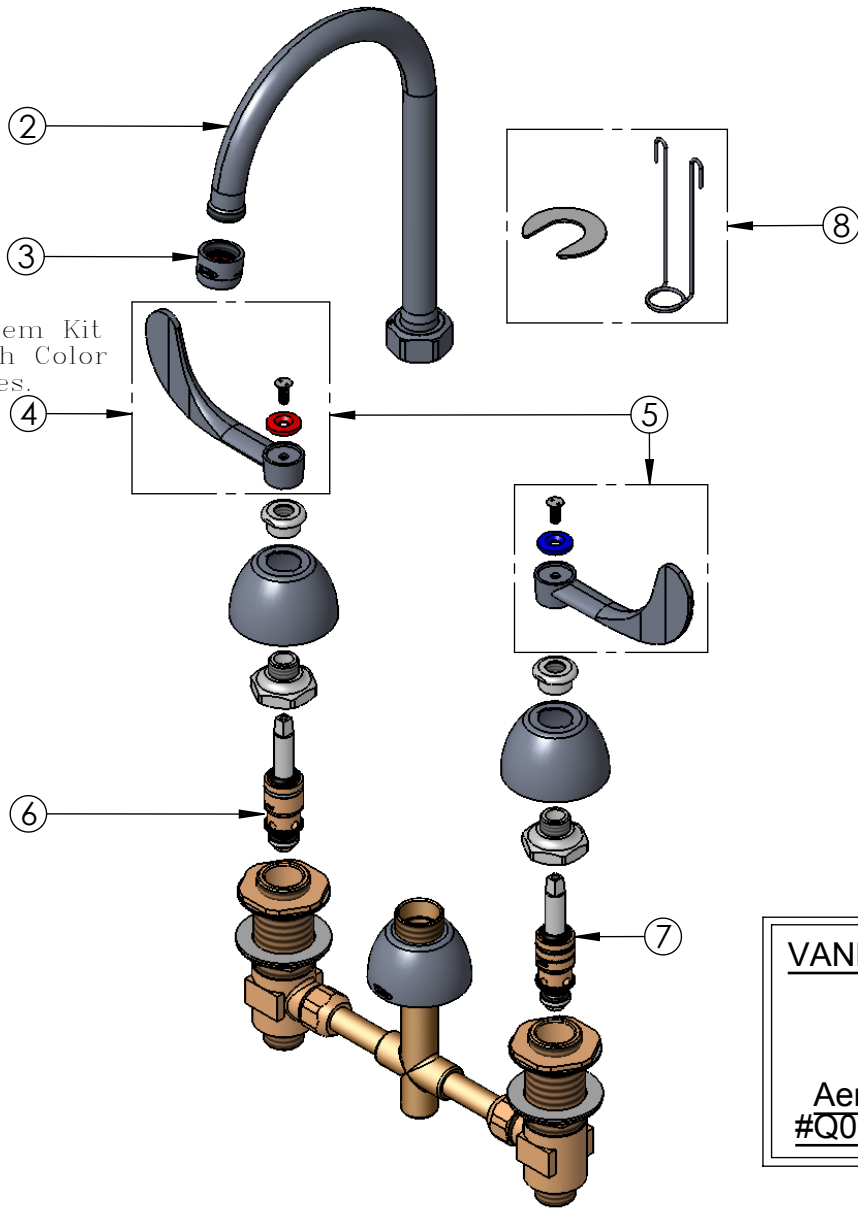
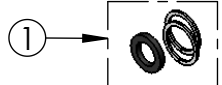
T&S BRASS AND BRONZE WORKS, INC.
2 Saddleback Cove, P.O. Box 1088
Travelers Rest, South Carolina 29690

Phone: 800.476.4103 Fax: 800.834.3518, Simi Valley 800.423.0750




REG. #A2601
ISO #9001

ITEM NO.	SALES NO.	DESCRIPTION
1	Q016062-45	Kit, Swivel/Rigid Gooseneck Repair
2	Q015378-40	5 3/4" Gooseneck (GN-B)
3	Q016076-45	Aerator, 2.2 GPM VR Female w/ Key
4	Q015975-40-VR	Wrist Action Handle, 1-Pack w/ Vandal Resistant Screw & Spanner Bit
5	Q015974-40-VR	Wrist Action Handle, 1-Pack w/ Vandal Resistant Screw & Spanner Bit
6	Q015389-40	Long Compression Cartridge, Hot
7	Q015390-40	Long Compression Cartridge, Cold
8	Q015984-45	Trim Installation Package



Note: This Item Kit Includes Both Color Coded Indexes.

VANDAL RESISTANT TOOLS



Aerator Key #Q015425-45 **Spanner Bit** #Q014075-45

Model Number Q-859WB-VR5A	Date 02/16/07	Scale 1:4	Drawn DHL	Checked JRM	Approved JHB
------------------------------	------------------	--------------	--------------	----------------	-----------------



Product Specifications:
8" Widespread Mixing Faucet, Compression Cartridges, Wrist Action Handles w/ Vandal Resistant Screws, 5 3/4" Gooseneck (GN-B), 2.2 GPM Vandal Resistant Aerator



T&S BRASS AND BRONZE WORKS, INC.
 2 Saddleback Cove, P.O. Box 1088
 Travelers Rest, South Carolina 29690
 Phone: 800.476.4103 Fax: 800.834.3518, Simi Valley 800.423.0750



REG. #A2601
 ISO #9001