

This Space for Architect/Engineer Approval

Job Name _____ Date _____

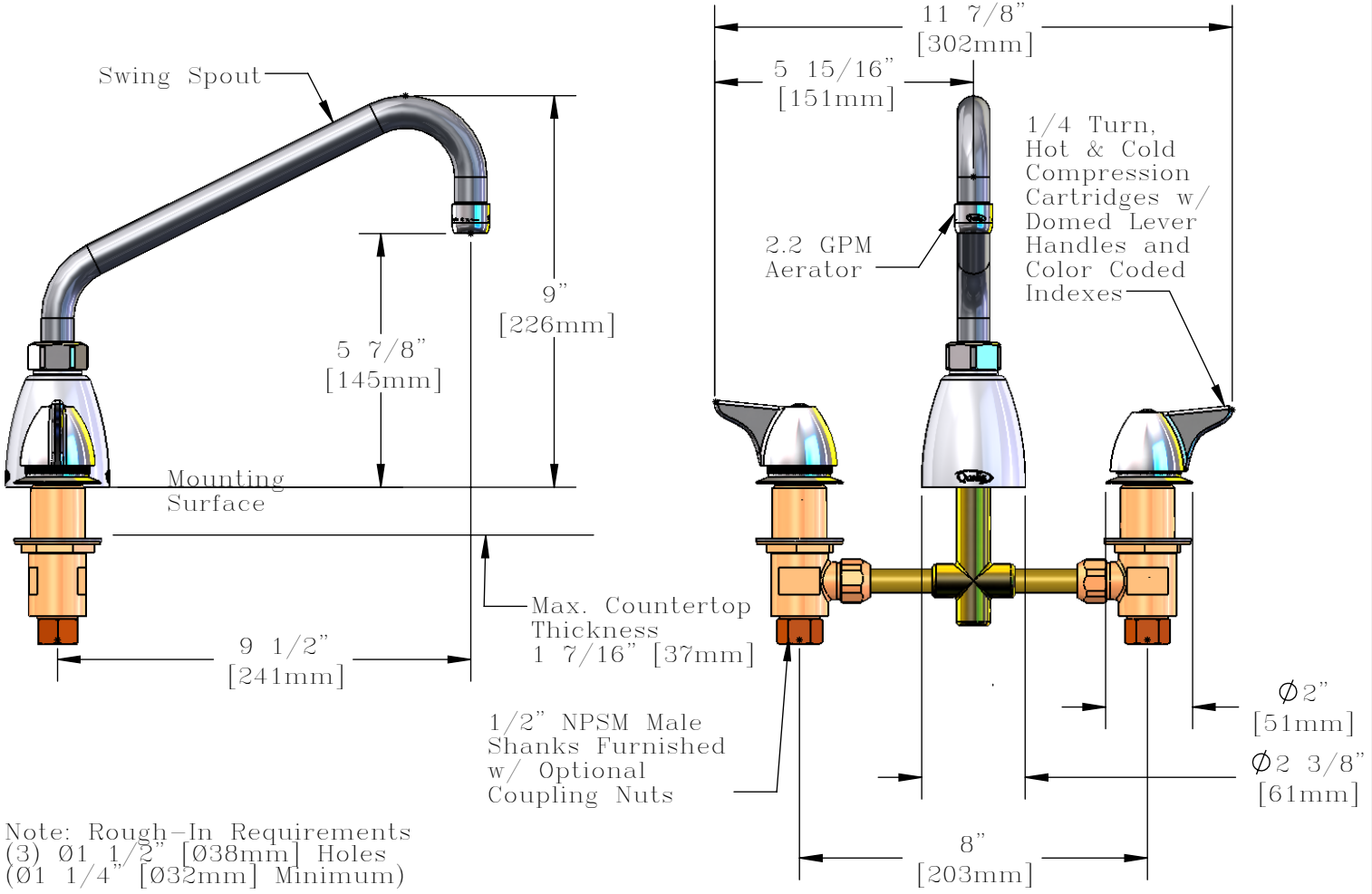
Model Specified _____ Quantity _____

Customer/Wholesaler _____

Contractor _____

Architect/Engineer _____

<u><i>Available Options</i></u>	
Model Suffix #	Description
<input type="checkbox"/> -5A	2.2 GPM VR Aerator
<input type="checkbox"/> -5B	0.5 GPM Aerator
<input type="checkbox"/> -5C	0.5 GPM VR Aerator
<input type="checkbox"/> -5D	2.2 GPM Laminar Flow
<input type="checkbox"/> -VR5C	Complete VR Pkg (0.5 GPM)
<input type="checkbox"/> -VR5A	Complete VR Pkg (2.2 GPM)



Note: Rough-In Requirements
 (3) Ø1 1/2" [Ø38mm] Holes
 (Ø1 1/4" [Ø32mm] Minimum)

Model Number Q-859XD	Date 04/04/08	Scale 1:4	Drawn JRM	Checked GEF	Approved JHB
--------------------------------	-------------------------	---------------------	---------------------	-----------------------	------------------------

Product Specifications:
8" Widespread Mixing Faucet, Compression Cartridges, Domed Lever Handles, 9 1/2" Swing Spout (SS-D), 2.2 GPM Aerator

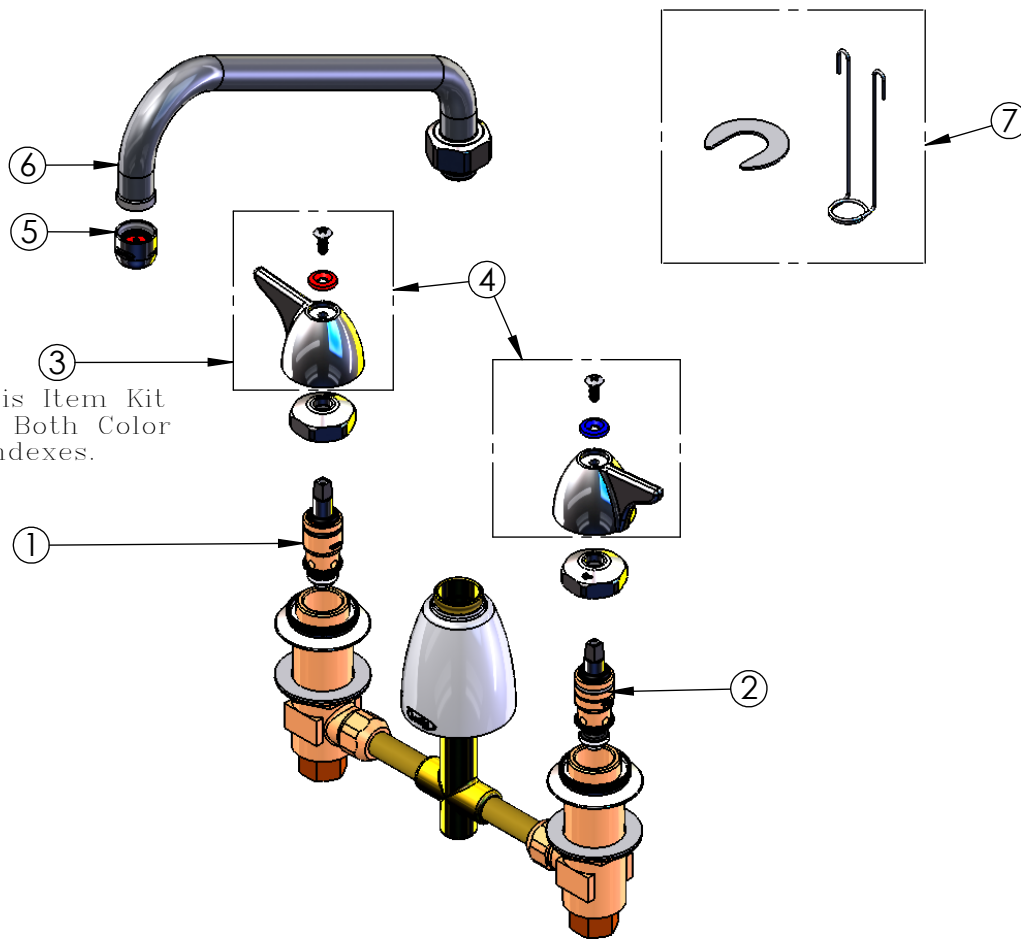


T&S BRASS AND BRONZE WORKS, INC.
 2 Saddleback Cove, P.O. Box 1088
 Travelers Rest, South Carolina 29690
 Phone: 800.476.4103 Fax: 800.834.3518, Simi Valley 800.423.0750



REG. #A2601
 ISO #9001

ITEM NO.	SALES NO.	DESCRIPTION
1	Q015387-40	Standard Compression Cartridge, Hot
2	Q015388-40	Standard Compression Cartridge, Cold
3	Q017063-40	Domed Lever Handle, 1-Pack Kit
4	Q017064-40	Domed Lever Handle, 2-Pack Kit
5	Q014986-45	Aerator, Female, 2.2 GPM
6	Q015376-40	9 1/2" Swing Spout (SS-D)
7	Q015984-45	Trim Installation Package



Note: This Item Kit Includes Both Color Coded Indexes.

Model Number Q-859XD	Date 04/04/08	Scale 1:4	Drawn JRM	Checked GEF	Approved JHB
-------------------------	------------------	--------------	--------------	----------------	-----------------



Product Specifications:
8" Widespread Mixing Faucet, Compression Cartridges,
Domed Lever Handles, 9 1/2" Swing Spout (SS-D),
2.2 GPM Aerator



T&S BRASS AND BRONZE WORKS, INC.
2 Saddleback Cove, P.O. Box 1088
Travelers Rest, South Carolina 29690
Phone: 800.476.4103 Fax: 800.834.3518, Simi Valley 800.423.0750



REG. #A2601
ISO #9001