

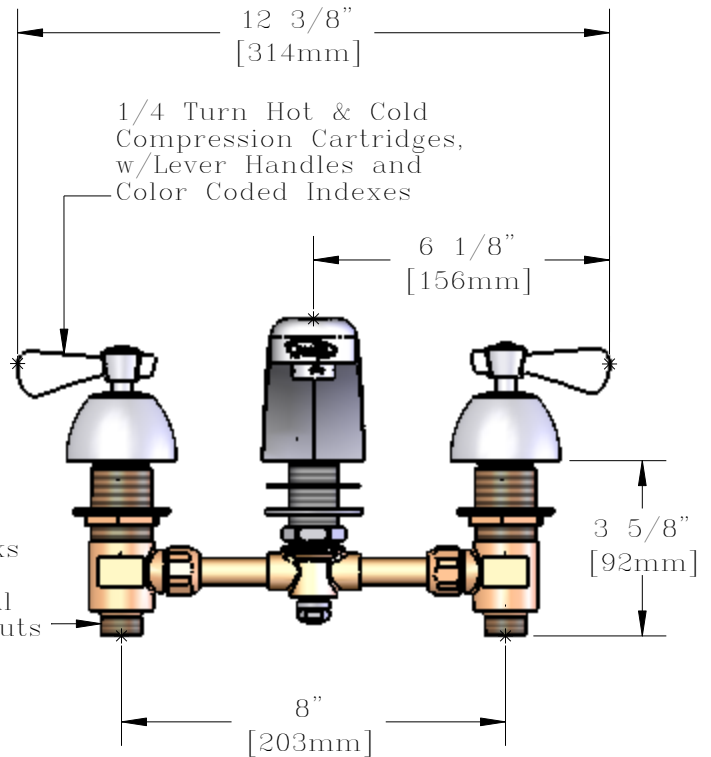
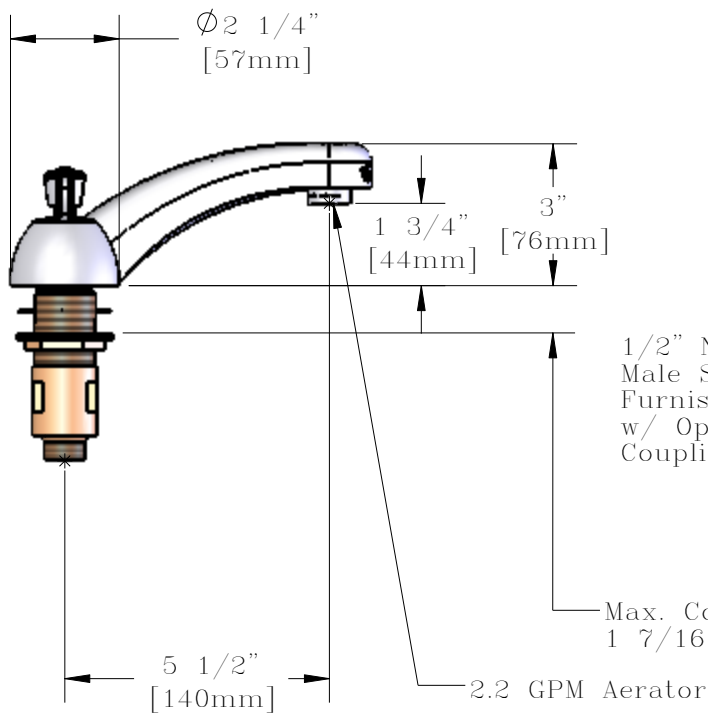


This Space for Architect/Engineer Approval

Job Name _____ Date _____
 Model Specified _____ Quantity _____
 Customer/Wholesaler _____
 Contractor _____
 Architect/Engineer _____

Available Options

- | Model Suffix # | Description |
|--------------------------------|---------------------------|
| <input type="checkbox"/> -5A | 2.2 GPM VR Aerator |
| <input type="checkbox"/> -5B | 0.5 GPM Aerator |
| <input type="checkbox"/> -5C | 0.5 GPM VR Aerator |
| <input type="checkbox"/> -5D | 2.2 GPM Laminar Flow |
| <input type="checkbox"/> -VR5C | Complete VR Pkg (0.5 GPM) |
| <input type="checkbox"/> -VR5A | Complete VR Pkg (2.2 GPM) |



1/2" NPSM Male Shanks
 Furnished w/ Optional Coupling Nuts

Max. Countertop Thickness
 1 $\frac{7}{16}''$ [37mm]

Model Number Q-859YH	Date 10/23/2006	Scale 1:4	Drawn DHL	Checked JRM	Approved JHB/mv
-------------------------	--------------------	--------------	--------------	----------------	--------------------



Product Specifications:
 8" Widespread Mixing Faucet, Compression Cartridges, Lever Handles, 5" Cast Spout (CS-H), 2.2 GPM Aerator



T&S BRASS AND BRONZE WORKS, INC.
 2 Saddleback Cove, P.O. Box 1088
 Travelers Rest, South Carolina 29690

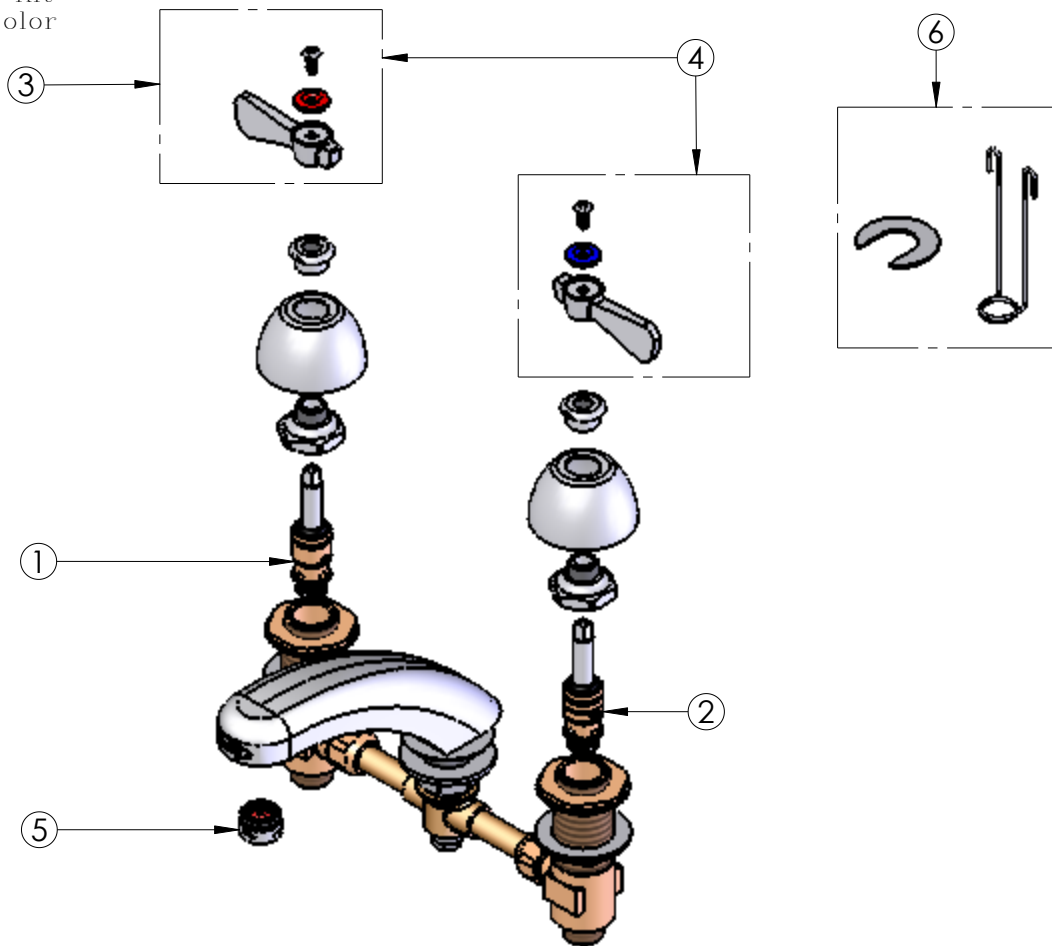
Phone: 800.476.4103 Fax: 800.834.3518, Simi Valley 800.423.0750



REG. #A2601
 ISO #9001

ITEM NO.	SALES NO.	DESCRIPTION
1	Q015389-40	Long Compression Cartridge, Hot
2	Q015390-40	Long Compression Cartridge, Cold
3	Q015973-40	Lever Handle, 1-Pack Kit
4	Q015972-40	Lever Handle, 2-Pack Kit
5	Q014985-45	2.2 GPM Male Aerator
6	Q015984-45	Trim Installation Package

Note: This Item Kit Includes Both Color Coded Indexes.



Model Number
Q-859YH

Date
10/23/2006

Scale
1:4

Drawn
DHL

Checked
JRM

Approved
JHB/mv



Product Specifications:
8" Widespread Mixing Faucet, Compression Cartridges,
Lever Handles, 5" Cast Spout (CS-H),
2.2 GPM Aerator



T&S BRASS AND BRONZE WORKS, INC.
2 Saddleback Cove, P.O. Box 1088
Travelers Rest, South Carolina 29690

Phone: 800.476.4103 Fax: 800.834.3518, Simi Valley 800.423.0750



REG. #A2601
ISO #9001