



This Space for Architect/Engineer Approval

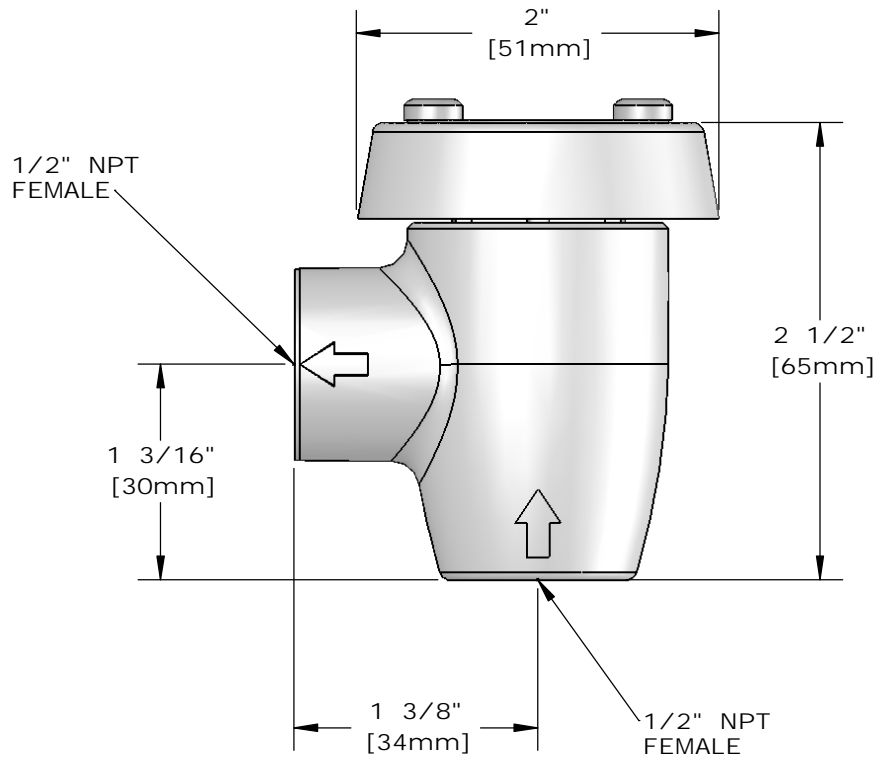
Job Name _____ Date _____

Model Specified _____ Quantity _____

Customer/Wholesaler _____

Contractor _____

Architect _____



Model Number Q015484-40	Date 3/10/2006	Scale 1:1	Drawn JRM	Checked DHL	Approved JHB
----------------------------	-------------------	--------------	--------------	----------------	-----------------

Product Specifications:

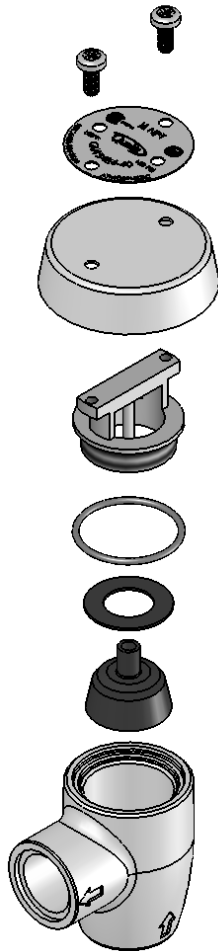
**1/2" VACUUM BREAKER
QUALIS**



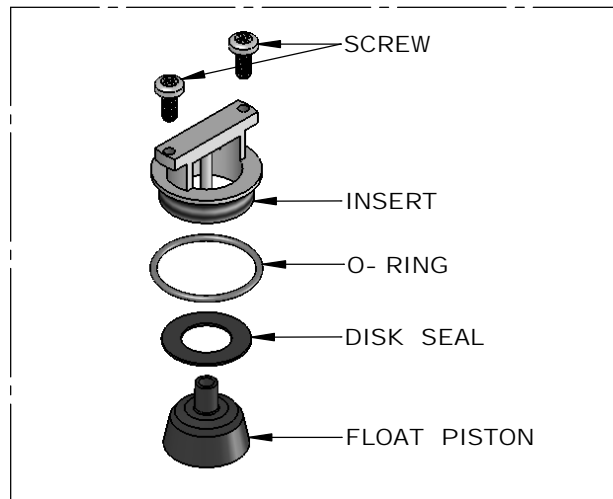
T&S BRASS AND BRONZE WORKS, INC.
2 Saddleback Cove, P.O. Box 1088
Travelers Rest, South Carolina 29690
Phone: 800.476.4103 Fax: 800.834.3518, Simi Valley 800.423.0750



REG. #A2601
ISO #9001



NOTE:
 REPAIR KIT "Q012600-45" WILL CONSIST
 OF COMPONENTS SHOWN BELOW
 FOR 1/2" VACUUM BREAKER "Q015484-40".



Model Number Q015484-40	Date 3/10/2006	Scale 1:2	Drawn JRM	Checked DHL	Approved JHB
----------------------------	-------------------	--------------	--------------	----------------	-----------------



Product Specifications:
 1/2" VACUUM BREAKER
 QUALIS

T&S BRASS AND BRONZE WORKS, INC.
 2 Saddleback Cove, P.O. Box 1088
 Travelers Rest, South Carolina 29690
 Phone: 800.476.4103 Fax: 800.834.3518, Simi Valley 800.423.0750



REG. #A2601
 ISO #9001