



T&S BRASS AND BRONZE WORKS, INC.
 2 SADDLEBACK COVE / P.O. BOX 1088 / TRAVELERS REST, SC 29690
 PHONE 800-476-4103 FAX 864- 834-3518



Model No.

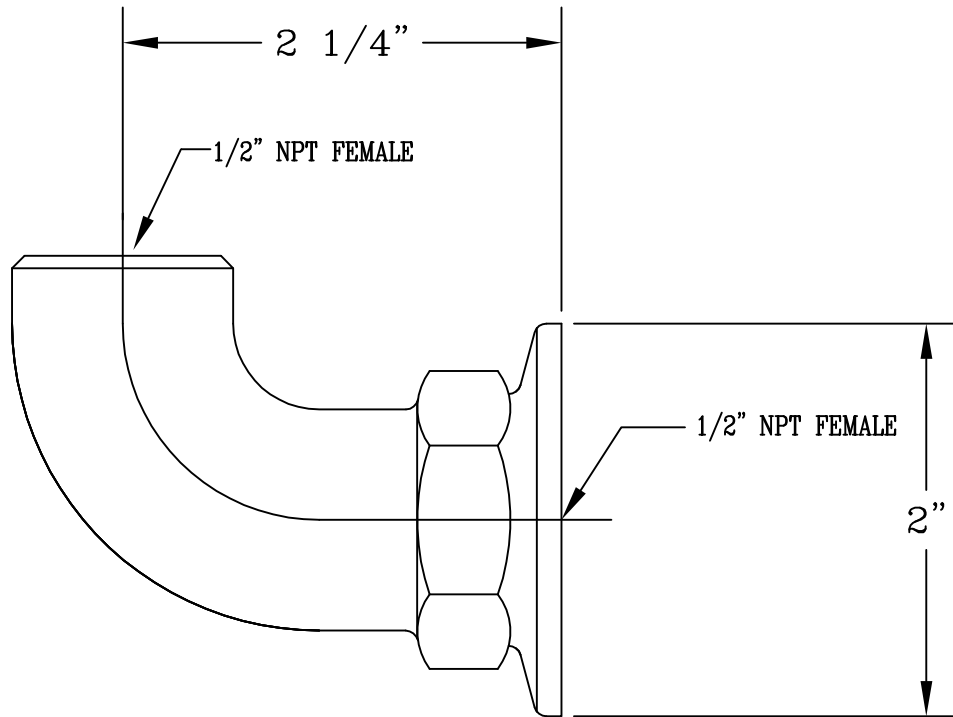
000267-40

Item No.:

Job Name:

Architect/Engineer Approval:

Notes:



Product Description:

B-536 STYLE RIGID GN. ELBOW

Drawn:

WJS

Checked

Approved

Scale:

1:1

Date: