



T&S BRASS AND BRONZE WORKS, INC.
 2 SADDLEBACK COVE / P.O. BOX 1088 / TRAVELERS REST, SC 29690
 PHONE 800-476-4103 - FAX 864- 834-3518



Sales No.

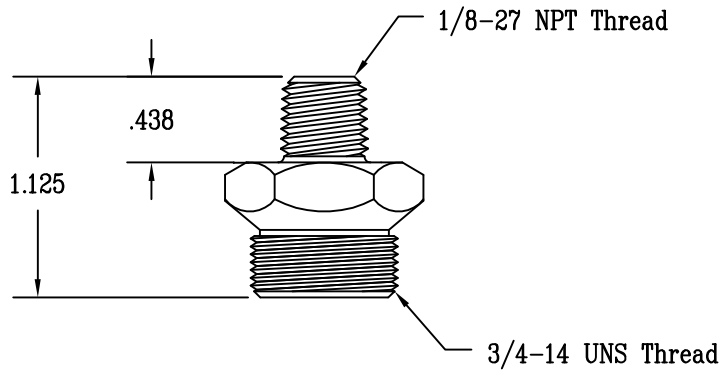
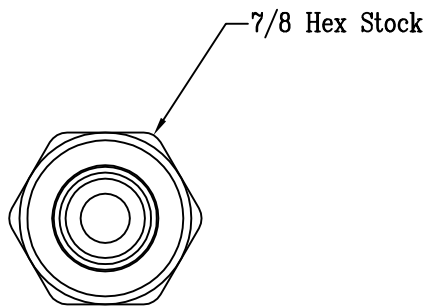
000542-25

**RELIABILITY
BUILT IN**

Job Name:

Architect/Engineer Approval:

Notes:



Finish: Rough Chrome Plated

Product Description:

Adapter, 1/8-27 NPT Male x 3/4-14 UNS Male

Drawn:

DHL

Approved

JHB

Checked

MAV

Scale:

1 : 1

Date:

3/16/07