



T&S BRASS AND BRONZE WORKS, INC.
 2 SADDLEBACK COVE / P.O. BOX 1088 / TRAVELERS REST, SC 29690
 PHONE 800-476-4103 - FAX 864- 834-3518



REG.#A2601
 ISO #9001

Sales No.

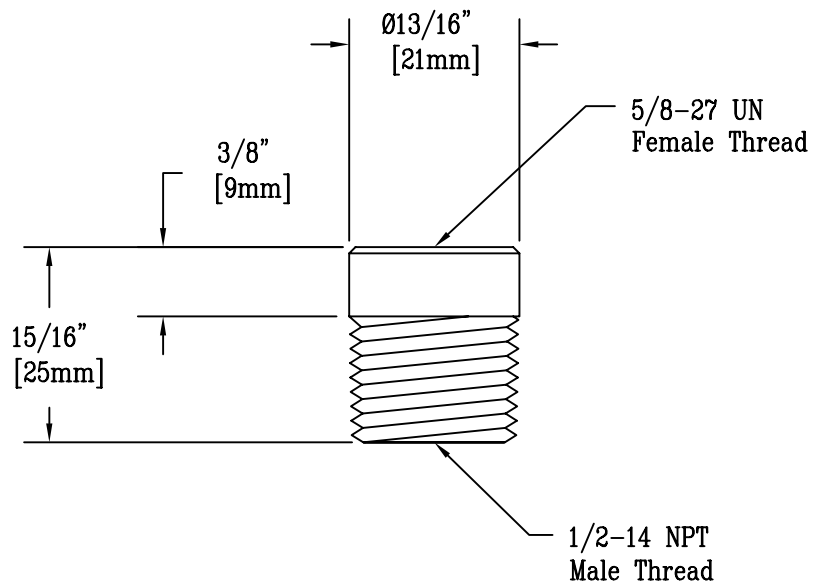
000568-25

**RELIABILITY
 BUILT IN**

Job Name:

Architect/Engineer Approval:

Notes:



Finish: Chrome Plated

Product Description:

5/8-27 UN Female Thread x 1/2" NPT Male Thread Adapter

Drawn:

DHL

Checked

JRM

Scale:

1:1

Approved

JHB

Date:

12/8/08