

T&S BRASS AND BRONZE WORKS, INC.
 2 SADDLEBACK COVE / P.O. BOX 1088 / TRAVELERS REST, SC 29690
 PHONE 800-476-4103 - FAX 864- 834-3518



Sales No.

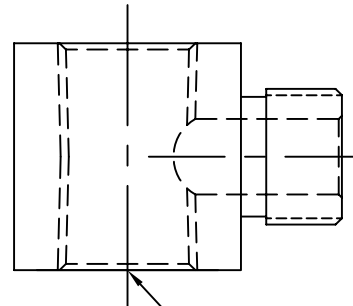
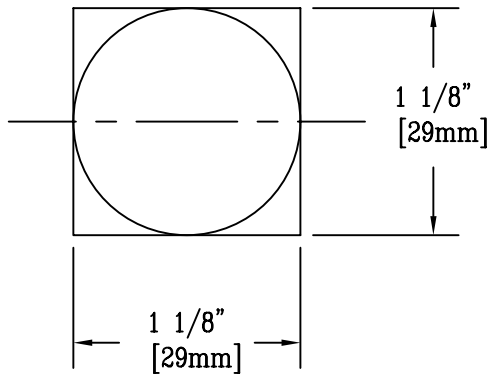
000742-40

**RELIABILITY
BUILT IN**

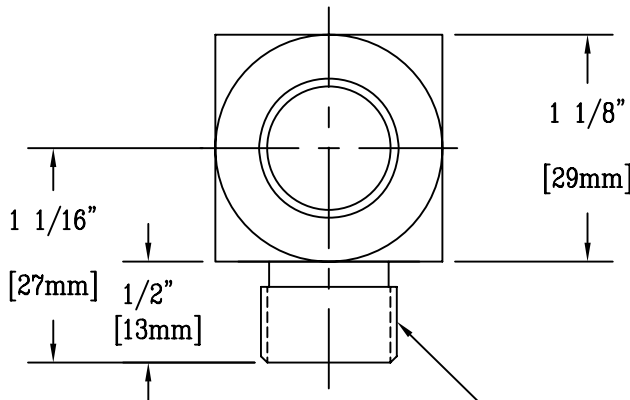
Job Name:

Architect/Engineer Approval:

Notes:



3/8-18NPT
Female Threads
(2) Places



3/8-18NPSL
Male Thread

Product Description:

Pedestal Cube

Drawn:

DHL

Checked

MAV

Scale:

1:1

Approved

JHB

Date:

10/24/07