



T&S BRASS AND BRONZE WORKS, INC.
 2 SADDLEBACK COVE / P.O. BOX 1088 / TRAVELERS REST, SC 29690
 PHONE 800-476-4103 FAX 864- 834-3518

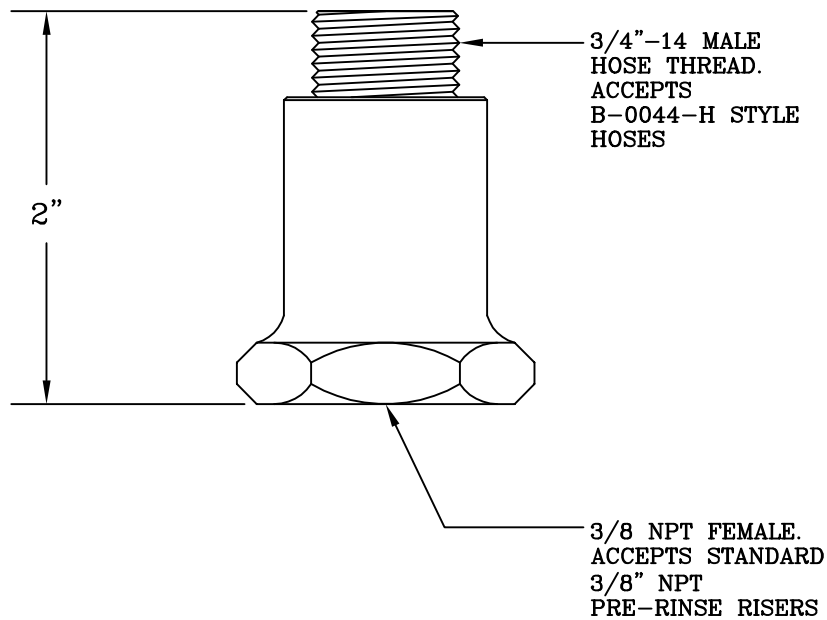


Model No.
 000821-25
 Item No.:

Job Name:

Architect/Engineer Approval:

Notes:



Product Description:

 PRE-RINSE SPRING BODY

Drawn:
WJS
Approved
MVW

Checked
MVW

Scale:
1:1
Date:
7-18-03