

T&S BRASS AND BRONZE WORKS, INC.
 2 SADDLEBACK COVE / P.O. BOX 1088 / TRAVELERS REST, SC 29690
 PHONE 800-476-4103 - FAX 864- 834-3518



Sales No.

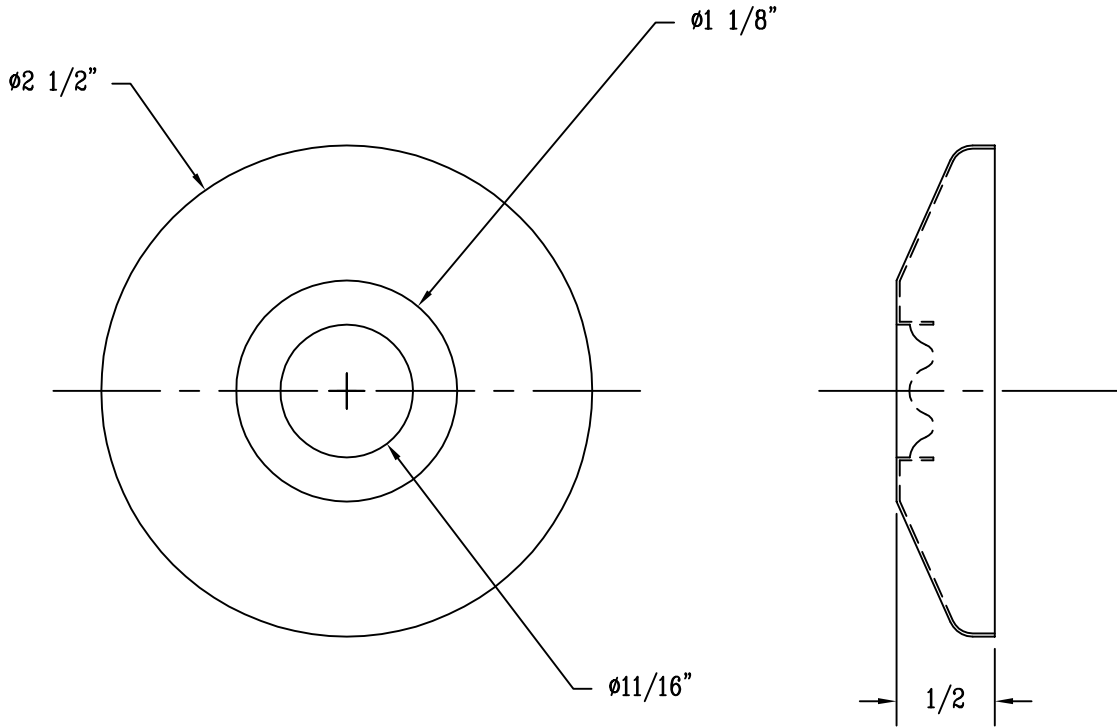
001261-45

**RELIABILITY
BUILT IN**

Job Name:

Architect/Engineer Approval:

Notes:



Finish: Chrome Plated

Product Description:

B-1301 (3/8") ESCUTCHEONS

Drawn:

DHL

Checked

MAV

Scale:

1:1

Approved

JHB

Date:

04/10/07