



T&S BRASS AND BRONZE WORKS, INC.
 2 SADDLEBACK COVE / P.O. BOX 1088 / TRAVELERS REST, SC 29690
 PHONE 800-476-4103 FAX 864- 834-3518



Sales No.

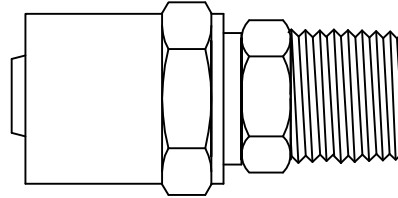
045A

Item No.:

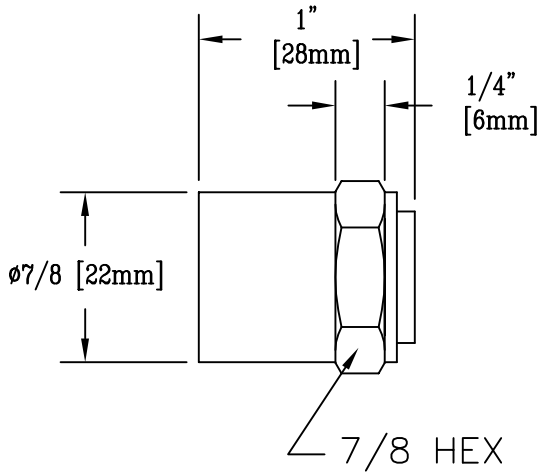
Job Name:

Architect/Engineer Approval:

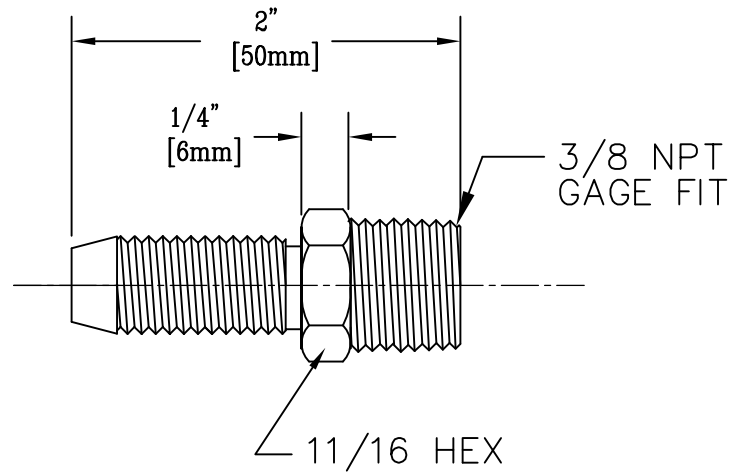
Notes:



ASSEMBLED VIEW



SOCKET



INSERT

NOTES:

1. SOCKET MUST SCREW FREELY TO FACE OF INSERT HEX ON INSERTION.
2. AMERICAN COUPLING P/N 183-6116

Product Description:

HOSE REEL FIELD REPAIR COUPLING

Drawn:

WJS

Approved

MVW

Checked

JKD

Scale:

1:1

Date:

9/11/02