



T&S BRASS AND BRONZE WORKS, INC.  
 2 SADDLEBACK COVE / P.O. BOX 1088 / TRAVELERS REST, SC 29690  
 PHONE 800-476-4103 - FAX 864- 834-3518



Sales No.

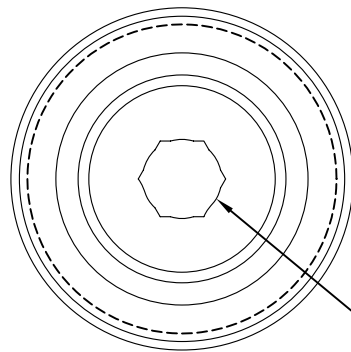
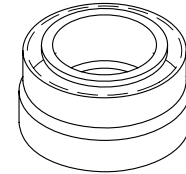
001651-47

RELIABILITY  
 BUILT IN

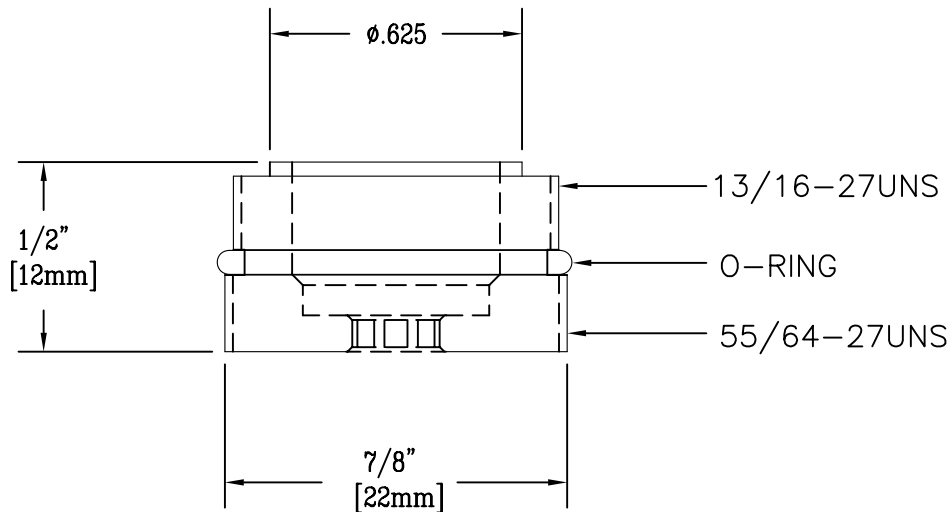
Job Name:

Architect/Engineer Approval:

Notes:



THRU BROACH w/ 3/16 HEX.



Product Description:

Adapter, Tin Lined

Drawn:

DHL

Checked

MAV

Scale:

2:1

Approved

JHB

Date:

7/31/07