



T&S BRASS AND BRONZE WORKS, INC.
 2 SADDLEBACK COVE / P.O. BOX 1088 / TRAVELERS REST, SC 29690
 PHONE 800-476-4103 FAX 864- 834-3518



Sales No.

001660-45K

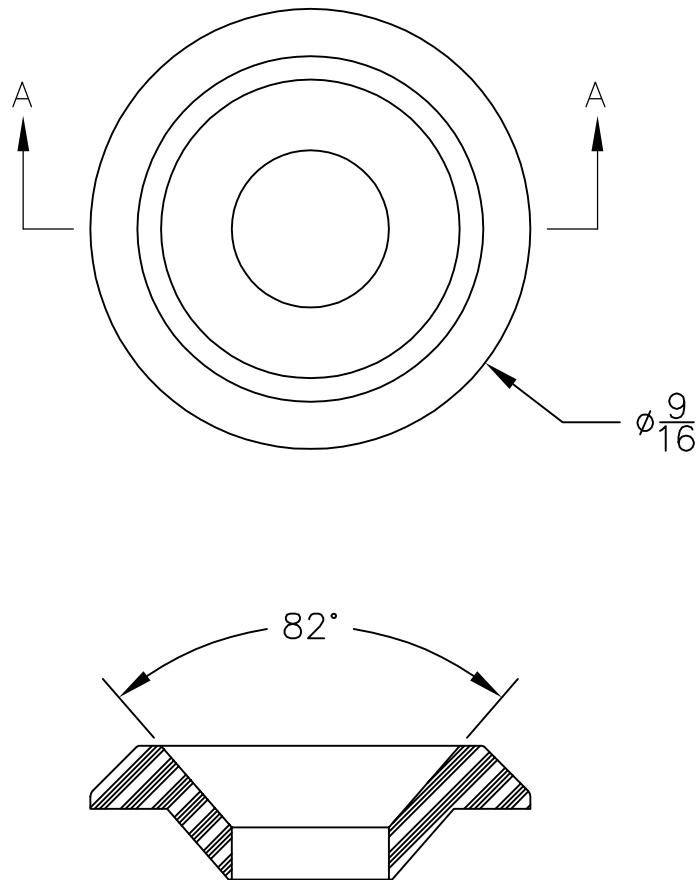
Item No.:

REG.#A2601
ISO #9002

Job Name:

Architect/Engineer Approval:

Notes:



Product Description:

INDEX BUTTON, COLD (BLUE)
 BULK PACKAGED 1000 PER BAG

Drawn:

MVW

Approved

MVW

Checked

WJS

Scale:

4 : 1

Date:

03-26-03