



T&S BRASS AND BRONZE WORKS, INC.

2 SADDLEBACK COVE / P.O. BOX 1088 / TRAVELERS REST, SC 29690

PHONE 800-476-4103

FAX 864- 834-3518



REG.#A2601  
ISO #9002

Sales No.

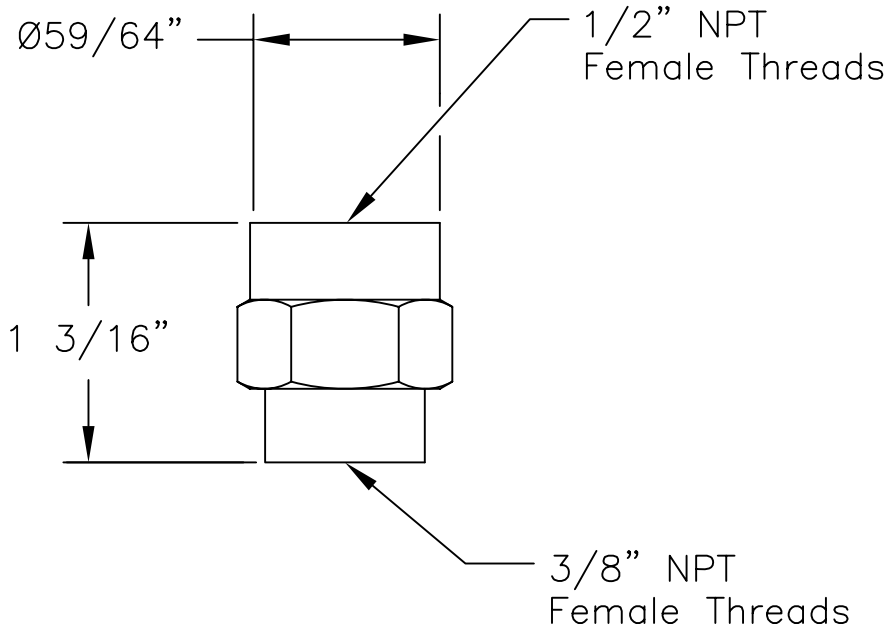
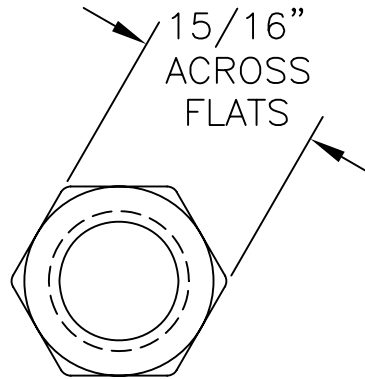
001995-25

Item No.:

Job Name:

Architect/Engineer Approval:

Notes:



Product Description:

Adapter, 3/8" NPT Female x 1/2" NPT Female

Drawn:

KJG

Checked

JRM

Scale:

1 : 1

Approved

JHB

Date:

10/13/08