



T&S BRASS AND BRONZE WORKS, INC.
 2 SADDLEBACK COVE / P.O. BOX 1088 / TRAVELERS REST, SC 29690
 PHONE 800-476-4103 FAX 864- 834-3518



Sales No.

002712-40CA

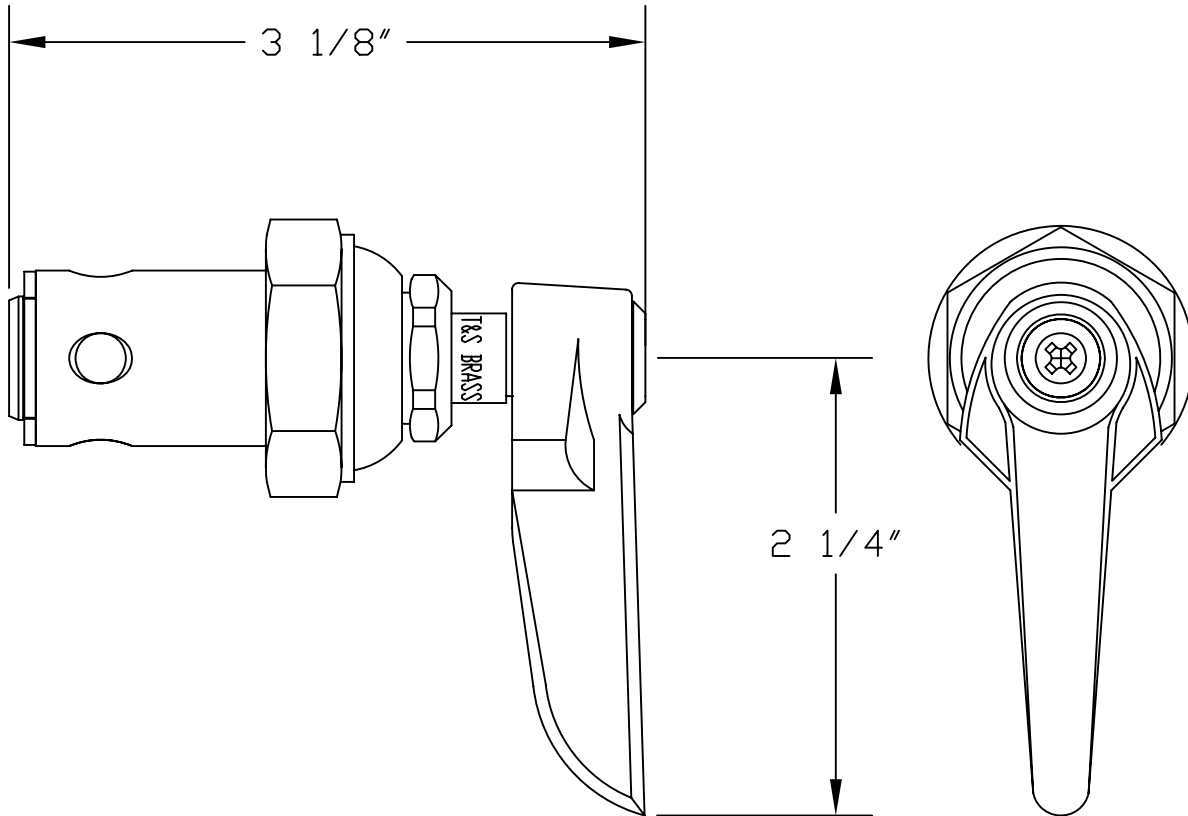
Item No.:

Job Name:

Architect/Engineer Approval:

Notes:

AB1953
 Compliant



Product Description:

RIGHT HAND ETERNA CARTRIDGE ASM
 w/ SPRING CHECK

Drawn:

DHL

Approved

JHB

Checked

MAV

Scale:

1:1

Date:

4/30/08