

T&S BRASS AND BRONZE WORKS, INC.

2 SADDLEBACK COVE / P.O. BOX 1088 / TRAVELERS REST, SC 29690

PHONE 800-476-4103

FAX 864-834-3518



REG. #A2601  
ISO #9002

Model No.

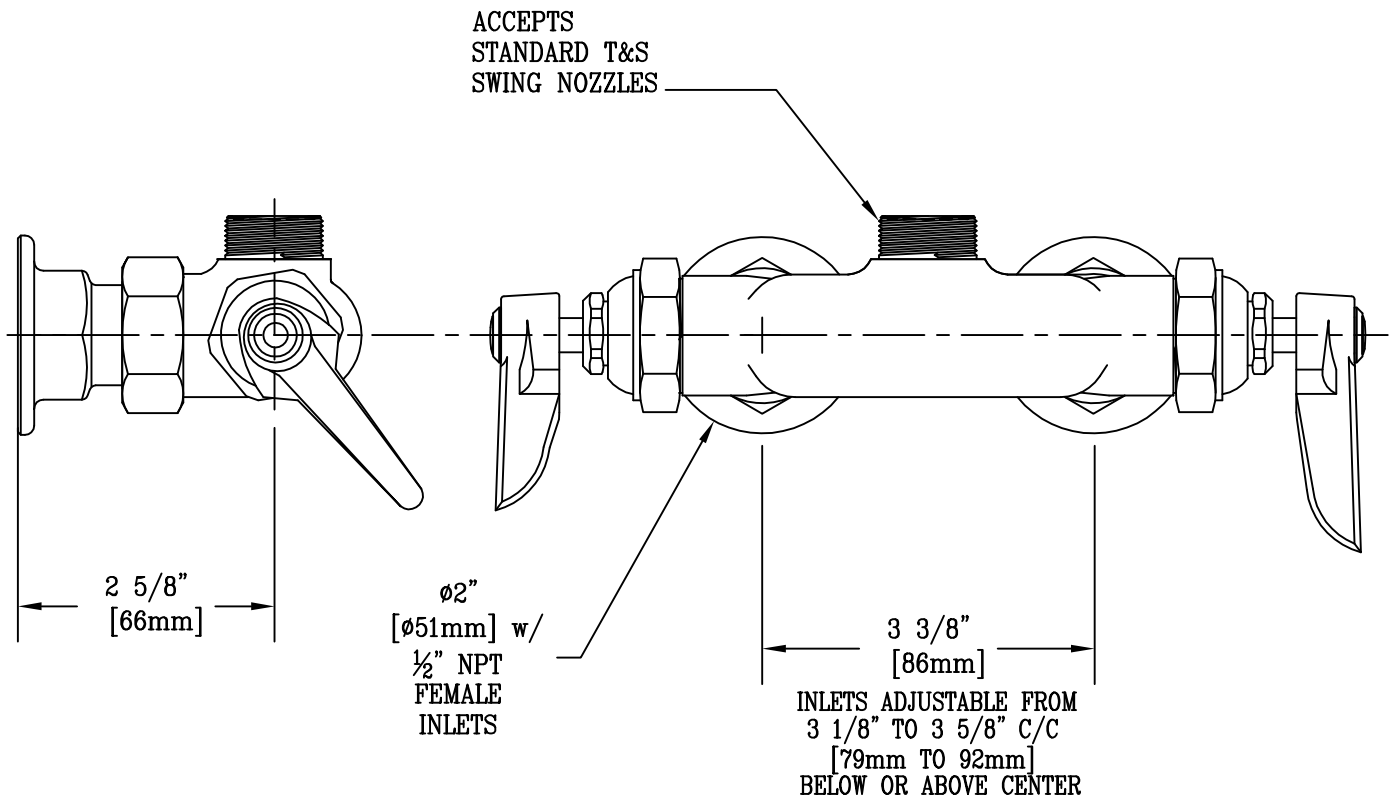
002836-40

Item No.:

Job Name:

Architect/Engineer Approval:

Notes:



Product Description:

ADJUSTABLE WALL MOUNT SWIVEL BASE FAUCET

Drawn:

WJS

Approved

Checked

Scale:

Date: