



T&S BRASS AND BRONZE WORKS, INC.
 2 SADDLEBACK COVE / P.O. BOX 1088 / TRAVELERS REST, SC 29690
 PHONE 800-476-4103 - FAX 864- 834-3518



REG.#A2601
 ISO #9001

Sales No.

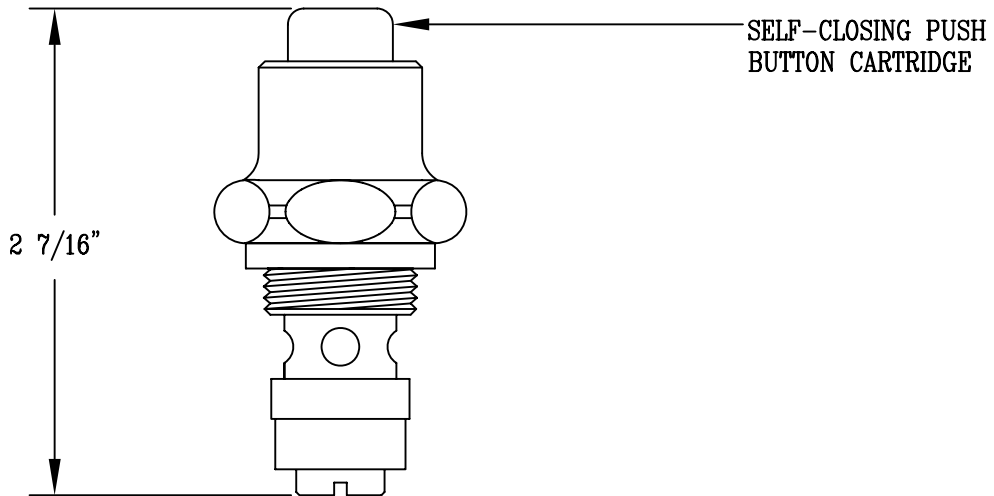
002856-40CA

**RELIABILITY
 BUILT IN**

Job Name:

Architect/Engineer Approval:

Notes:



Product Description:

BONNET ASSEMBLY FOR B-0107 SPRAY VALVE

Drawn:

GEF

Approved

JHB

Checked

ARH

Scale:

1 : 2

Date:

3/18/08