

T&S BRASS AND BRONZE WORKS, INC.
 2 SADDLEBACK COVE / P.O. BOX 1088 / TRAVELERS REST, SC 29690
 PHONE 800-476-4103 FAX 803- 834-3518



REG.#A2601
 ISO #9002

Model No.

002865-40

Item No.:

Job Name:

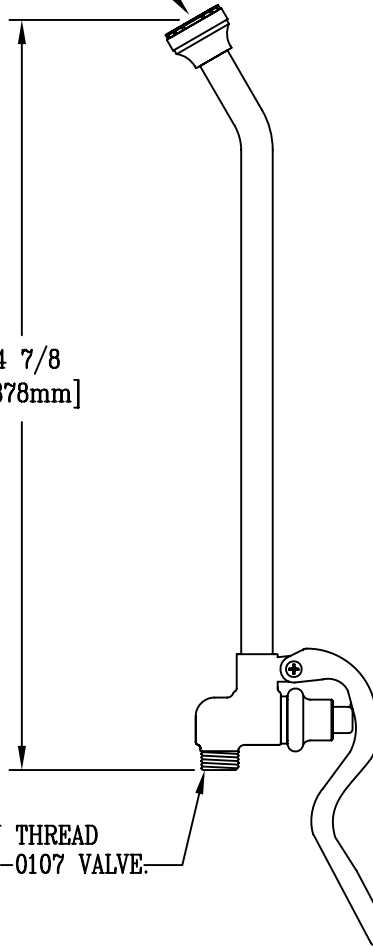
Architect/Engineer Approval:

Notes:

Ø1 1/8" [29mm]
 SPRAY FACE.

14 7/8
 [378mm]

3/4"-14 UN THREAD
 INLET ON B-0107 VALVE.



Product Description:

Extended Spray Wand Assembly

Drawn:

DHL

Approved

JHB

Checked

MAV

Scale:

1:4

Date:

5/10/07