

**T&S BRASS AND BRONZE WORKS, INC.**  
 2 SADDLEBACK COVE / P.O. BOX 1088 / TRAVELERS REST, SC 29690  
 PHONE 800-476-4103 - FAX 864- 834-3518



REG.#A2601  
 ISO #9001

Sales No.

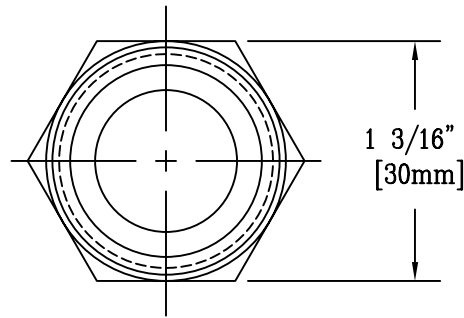
002957-25

**RELIABILITY  
 BUILT IN**

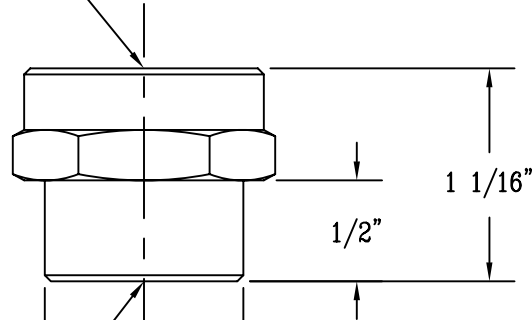
Job Name:

Architect/Engineer Approval:

Notes:



3/4-11½ GH Female Thread



1/2-14 NPT Female Thread

1"

Product Description:  
 Adapter, 1/2" NPT Female x 3/4" GH Female  
 Chrome Plated

Drawn:

DHL

Checked

MAV

Scale:

1:1

Approved

JHB

Date:

5/9/07