



T&S BRASS AND BRONZE WORKS, INC.  
 2 SADDLEBACK COVE / P.O. BOX 1088 / TRAVELERS REST, SC 29690  
 PHONE 800-476-4103 FAX 803- 834-3518



Model No.

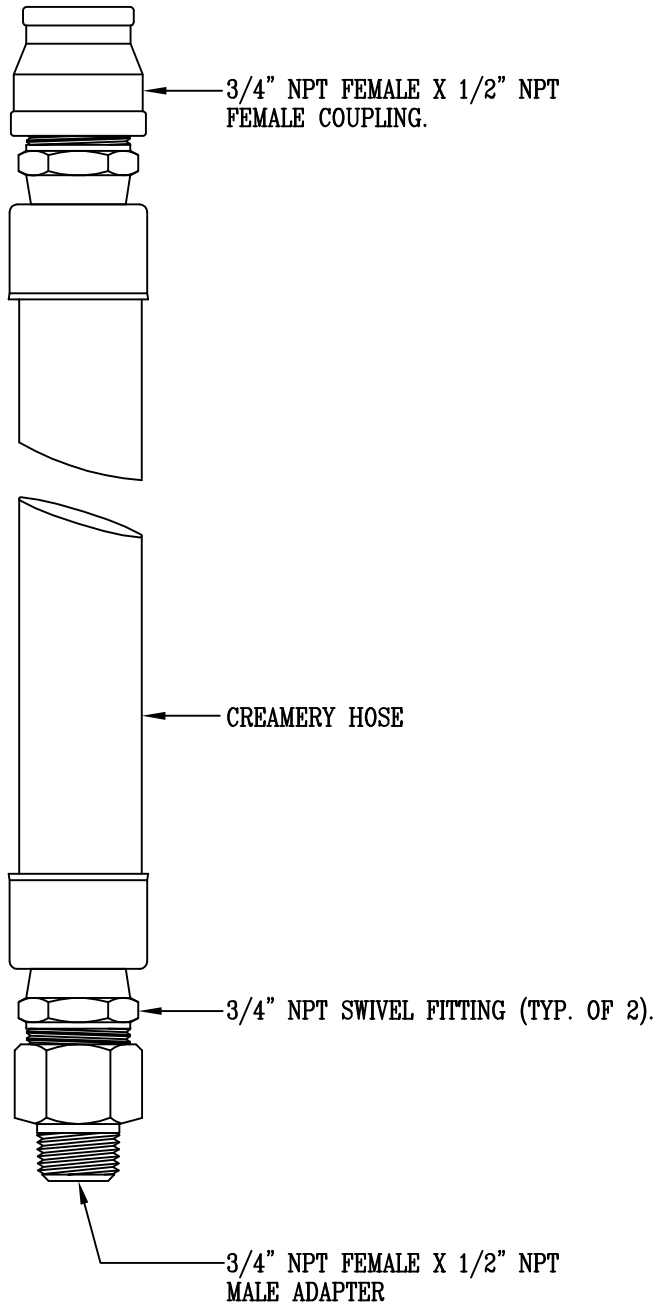
2969-45

Item No.:

Job Name:

Architect/Engineer Approval:

Notes:



Product Description:

1/2" HOSE ASSEMBLY

Drawn:

WJS

Checked

MWR

Scale:

NONE

Approved

CA

Date:

12-19-95