



T&S BRASS AND BRONZE WORKS, INC.
 2 SADDLEBACK COVE / P.O. BOX 1088 / TRAVELERS REST, SC 29690
 PHONE 800-476-4103 FAX 864- 834-3518

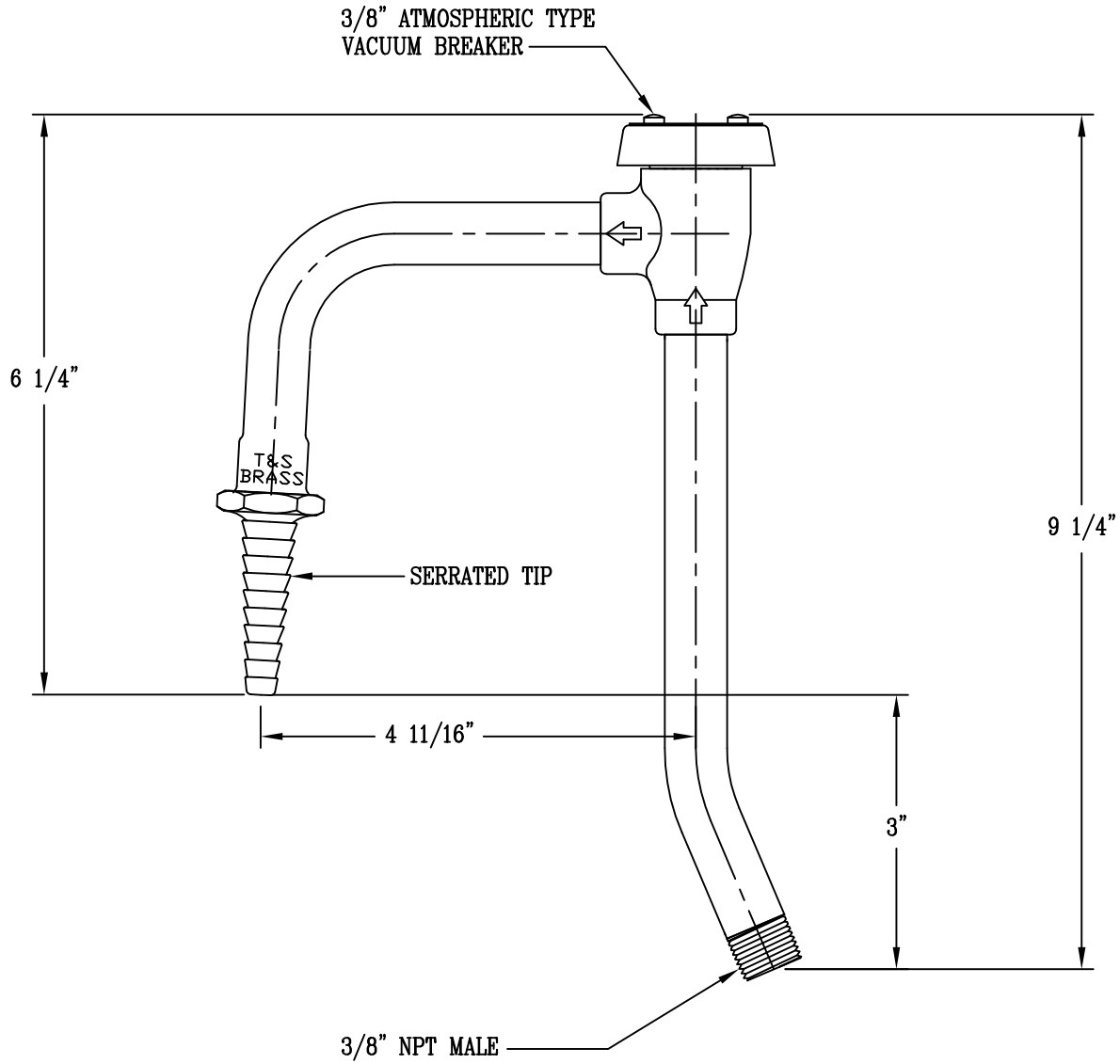


Model No.
 002986-40
 Item No.:

Job Name:

Architect/Engineer Approval:

Notes:



Product Description: RISER & VACUUM BREAKER NOZZLE FOR BL-6005-02	Drawn: WJS	Checked JKD	Scale: 1 : 2
	Approved MVW		Date: 1/15/03