

T&S BRASS AND BRONZE WORKS, INC.
 2 SADDLEBACK COVE / P.O. BOX 1088 / TRAVELERS REST, SC 29690
 PHONE 800-476-4103 FAX 864- 834-3518



Model No.

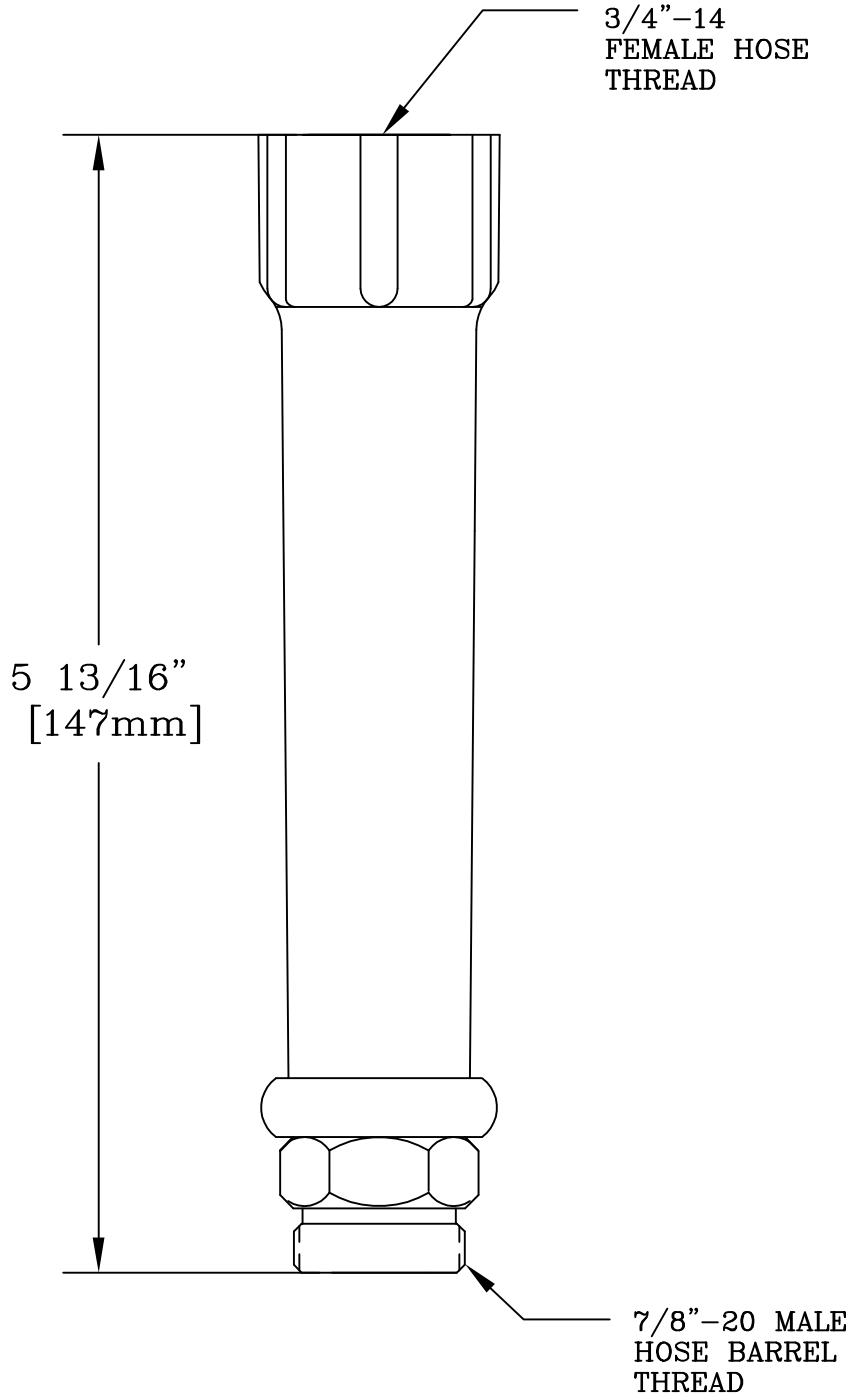
002A

Item No.:

Job Name:

Architect/Engineer Approval:

Notes:



Product Description:

GRIP HANDLE ASSEMBLY
 WITH 7/8"-20 MALE INLET THREAD

Drawn:

WJS

Approved

MVW

Checked

JKD

Scale:

Date:

7/9/98