



**T&S BRASS AND BRONZE WORKS, INC.**  
 2 SADDLEBACK COVE / P.O. BOX 1088 / TRAVELERS REST, SC 29690  
 PHONE 800-476-4103 - FAX 864- 834-3518

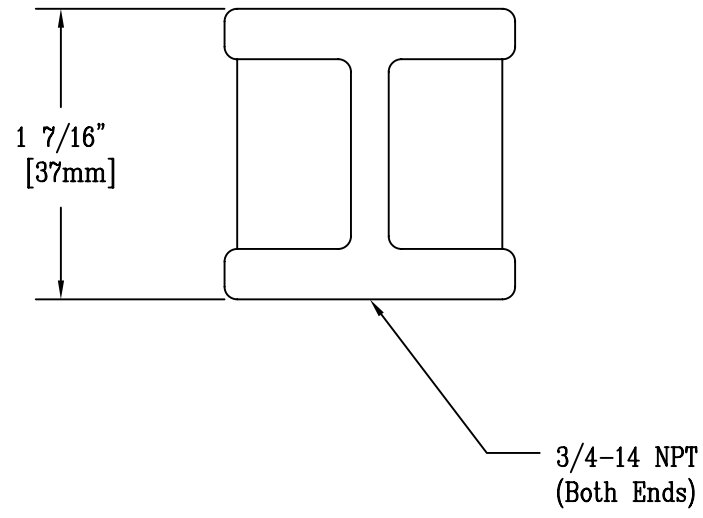
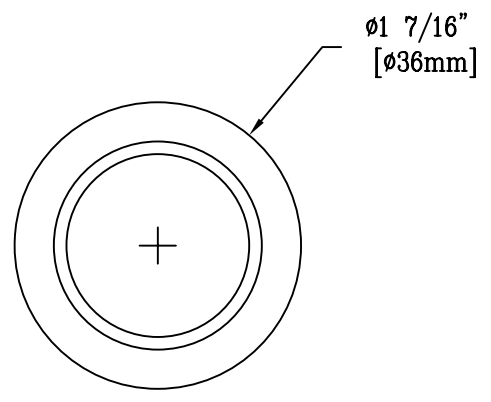


Sales No.
004710-25
<b>RELIABILITY BUILT IN</b>

Job Name:

Architect/Engineer Approval:

Notes:



Finish: Brass

Product Description:  
 Coupling, 3/4" Female x 3/4" Female

Drawn:  
DHL  
 Approved  
JHB

Checked  
MAV

Scale:  
1:1  
 Date:  
7/17/07