



T&S BRASS AND BRONZE WORKS, INC.
 2 SADDLEBACK COVE / P.O. BOX 1088 / TRAVELERS REST, SC 29690
 PHONE 800-476-4103 - FAX 864- 834-3518



Sales No.

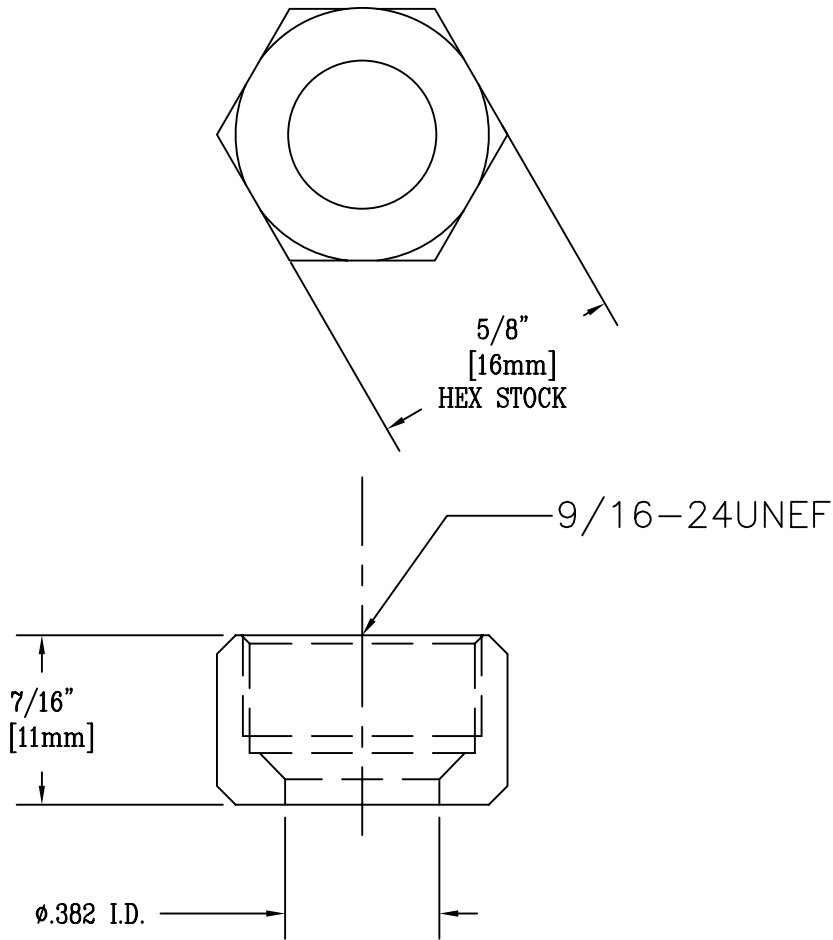
006098-45

RELIABILITY
BUILT IN

Job Name:

Architect/Engineer Approval:

Notes:



Finish: Chrome Plated

Product Description:

Compression Nut

Drawn:

DHL

Checked

MAV

Scale:

2:1

Approved

JHB

Date:

6/19/07