



T&S BRASS AND BRONZE WORKS, INC.

2 SADDLEBACK COVE / P.O. BOX 1088 / TRAVELERS REST, SC 29690

PHONE 800-476-4103

FAX 864-834-3518



REG.#A2601
ISO #9002

Sales No.

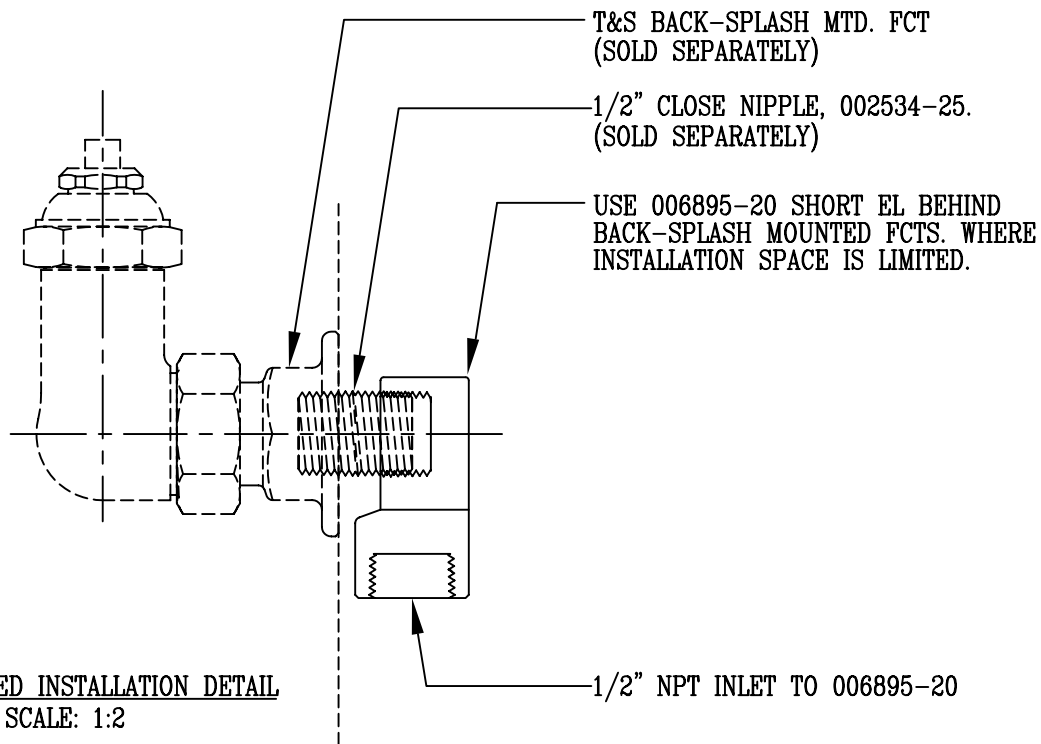
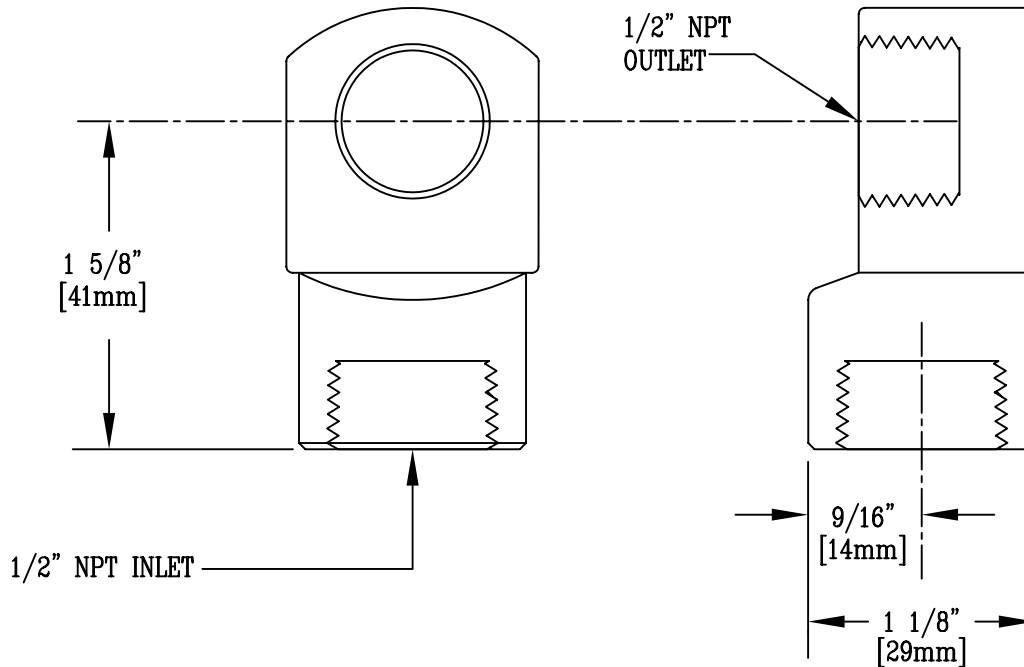
006895-20

Item No.:

Job Name:

Architect/Engineer Approval:

Notes:



SUGGESTED INSTALLATION DETAIL
SCALE: 1:2

Product Description:

90 DEGREE SHORT EL WITH 1/2" NPT INLET
& OUTLET FOR WALL MTD. FCT. INSTALLATIONS

Drawn:

WJS

Checked

DMA

Scale:

1:1

Approved

MVW

Date:

2/26/98