

T&S BRASS AND BRONZE WORKS, INC.
 2 SADDLEBACK COVE / P.O. BOX 1088 / TRAVELERS REST, SC 29690
 PHONE 800-476-4103 FAX 864- 834-3518



REG.#A2601
 ISO #9002

Sales No.

007947-40CA

Item No.:

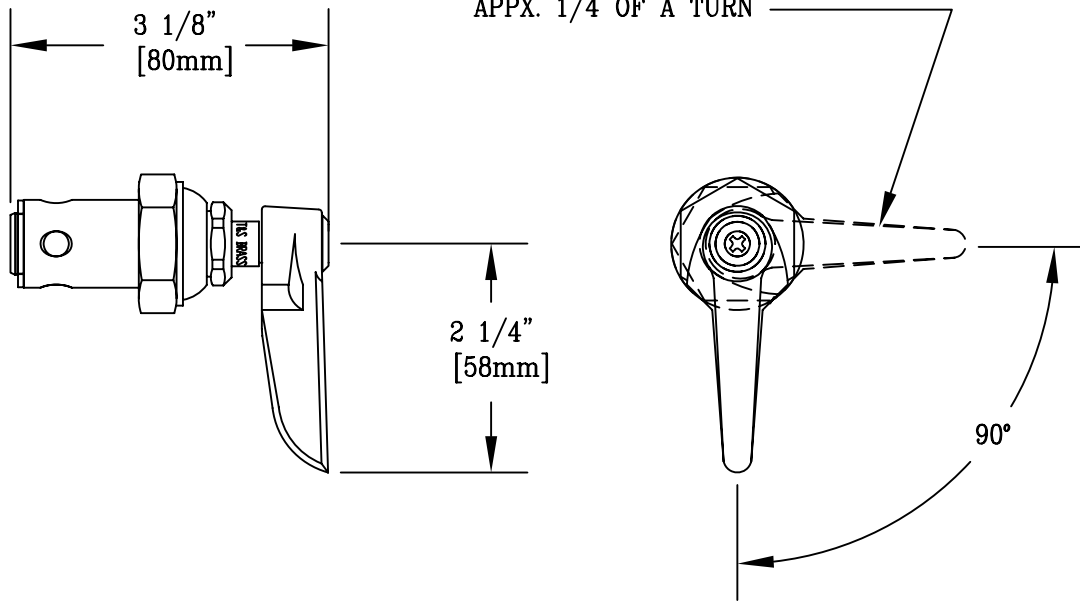
Job Name:

Architect/Engineer Approval:

Notes:



BRASS SLEEVE IN CARTRIDGE
 ASM. RESTRICTS HANDLE TO
 APPX. 1/4 OF A TURN



Product Description:

1/4 TURN SPINDLE ASSEMBLY

Drawn:

GEF

Approved

JHB

Checked

ARH

Scale:

1 : 1

Date:

3/26/08