

**T&S BRASS AND BRONZE WORKS, INC.**  
 2 SADDLEBACK COVE / P.O. BOX 1088 / TRAVELERS REST, SC 29690  
 PHONE 800-476-4103 - FAX 864- 834-3518

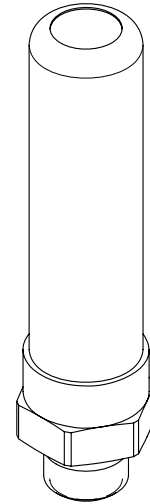
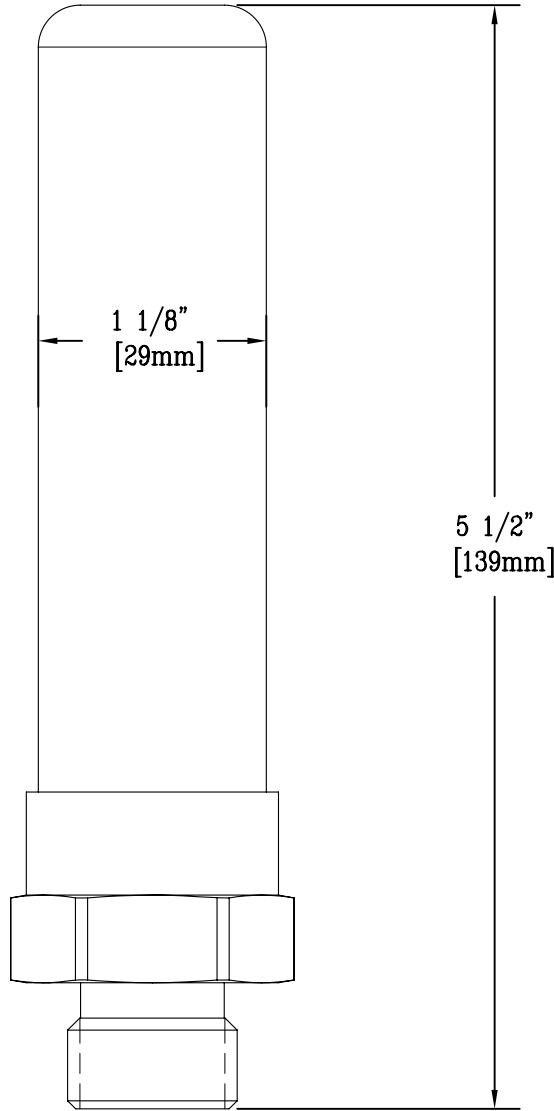


Sales No.
009401-45
<b>RELIABILITY BUILT IN</b>

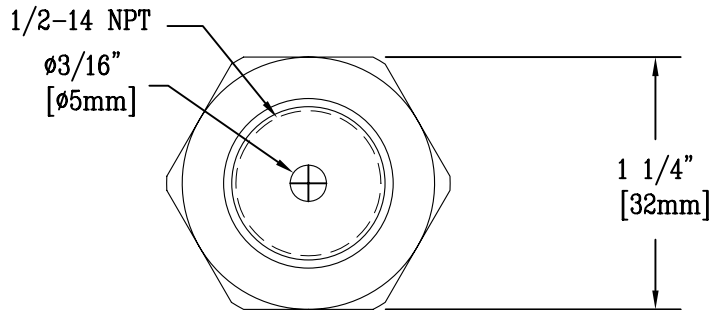
Job Name:

Architect/Engineer Approval:

Notes:



Finish: Chrome Plated



Product Description:

Water Hammer Arrestor

Drawn:

DHL

Checked

MAV

Scale:

1:1

Approved

JHB

Date:

8/13/07