



T&S BRASS AND BRONZE WORKS, INC.

2 SADDLEBACK COVE / P.O. BOX 1088 / TRAVELERS REST, SC 29690

PHONE 800-476-4103

FAX 864- 834-3518



REG.#A2601
ISO #9002

Sales No.

00AA-CA

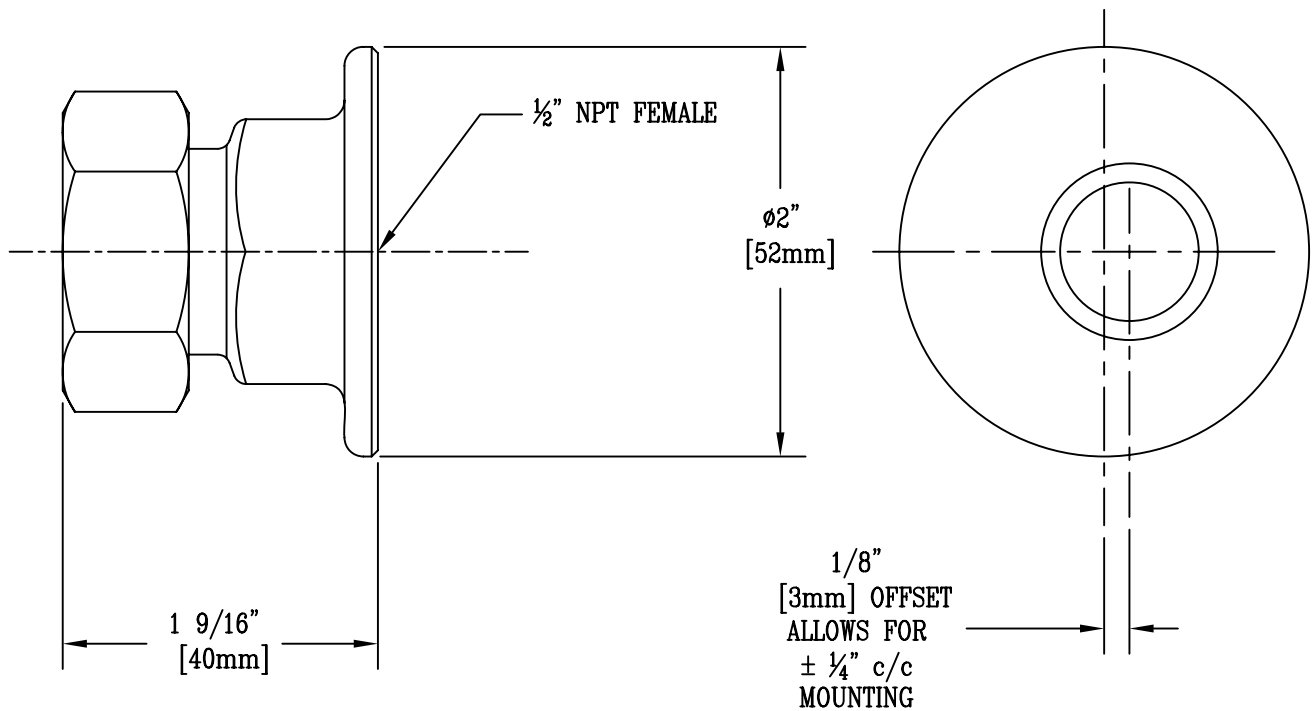
Item No.:

Job Name:

Architect/Engineer Approval:

Notes:

AB1953
Compliant

Product Description:

1/2" NPT FEMALE ECCENTRIC COUPLING FLANGES

Drawn:

GEF

Approved

JHB

Checked

ARH

Scale:

1:1

Date:

3/26/08