



T&S BRASS AND BRONZE WORKS, INC.

2 Saddleback Cove / P.O. Box 1088
Travelers Rest, SC 29690



REG. #A2601
ISO #9001

Model No.
00JJ-RGH

Item No.

Travelers Rest, SC: 800-476-4103 Simi Valley, CA: 800-423-0150 Fax: 864-834-3518 www.tsbrass.com

This Space for Architect/Engineer Approval

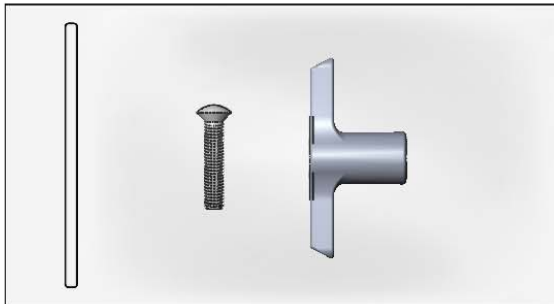
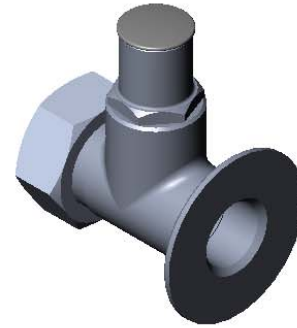
Job Name _____ Date _____

Model Specified _____ Quantity _____

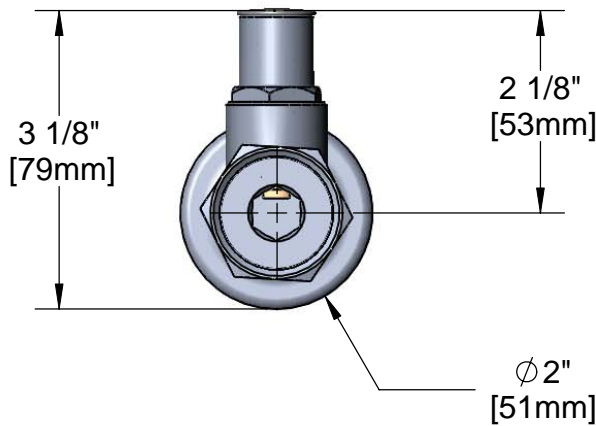
Customer/Wholesaler _____

Contractor _____

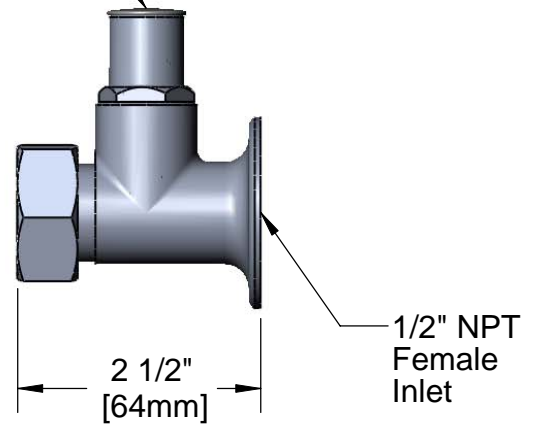
Architect/Engineer _____



Furnished w/ Tee Handle (001802-45)
and Mounting Screw (002432-45)



Screwdriver Stop w/ Cap



Product Specifications:
Flange w/ Integral Stop Assembly, Rough
Chrome, 1/2" NPT Female Inlet

Drawn DHL	Checked JRM	Approved JHB
Scale: 1:2		Date: 10/16/08



T&S BRASS AND BRONZE WORKS, INC.

2 Saddleback Cove / P.O. Box 1088
Travelers Rest, SC 29690



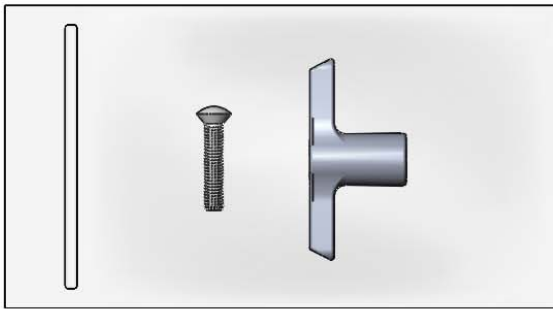
REG. #A2601
ISO #9001

Model No.
00JJ-RGH

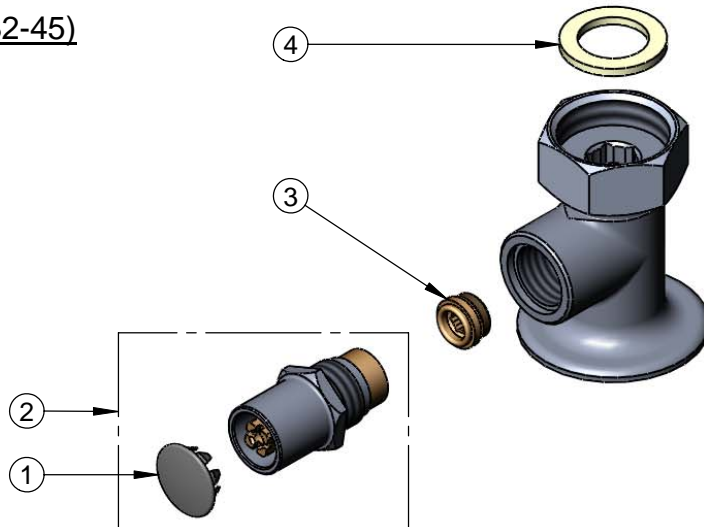
Item No.

Travelers Rest, SC: 800-476-4103 Simi Valley, CA: 800-423-0150 Fax: 864-834-3518 www.tsbrass.com

ITEM NO.	SALES NO.	DESCRIPTION
1	001605-45	Cap
2	002892-40	Spindle Asm w/ Cap
3	000763-20	Seat
4	001019-45	Coupling Nut Washer



Tee Handle (001802-45)
and Mounting Screw (002432-45)



Product Specifications:

Flange w/ Integral Stop Assembly, Rough
Chrome, 1/2" NPT Female Inlet

Drawn DHL	Checked JRM	Approved JHB
Scale: 1:2		Date: 10/16/08