



**T&S BRASS AND BRONZE WORKS, INC.**  
 2 SADDLEBACK COVE / P.O. BOX 1088 / TRAVELERS REST, SC 29690  
 PHONE 800-476-4103 FAX 864- 834-3518



Sales No.

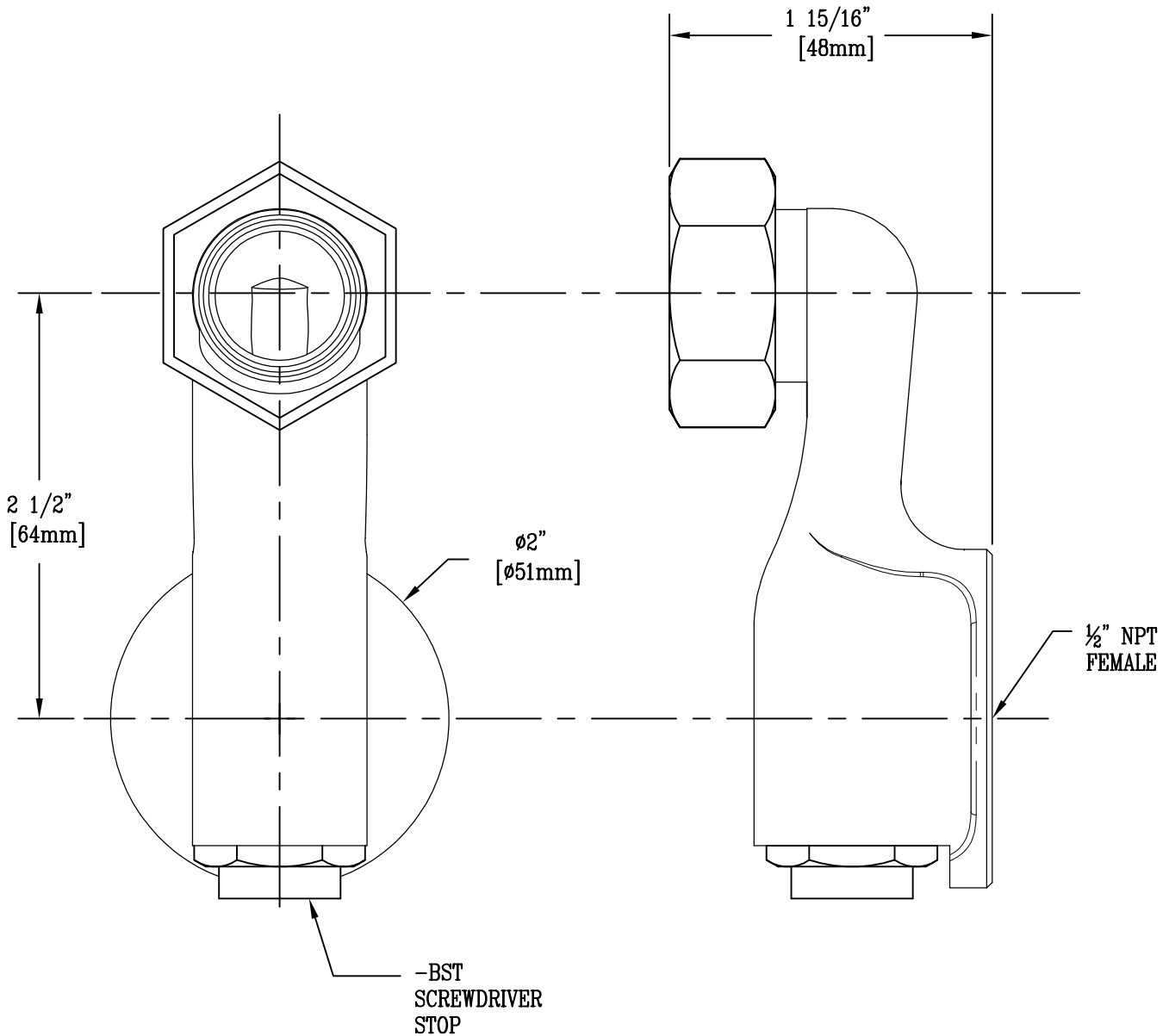
00XX

Item No.:

Job Name:

Architect/Engineer Approval:

Notes:



Product Description:

1/2" NPT FEMALE ADJUSTABLE ARM INLET FLANGES  
 WITH BUILT IN SCREWDRIVER STOP

Drawn:

WJS

Approved

MVW

Checked

JKD

Scale:

1:1

Date:

9/11/03