



T&S BRASS AND BRONZE WORKS, INC.
 2 SADDLEBACK COVE / P.O. BOX 1088 / TRAVELERS REST, SC 29690
 PHONE 800-476-4103 FAX 864- 834-3518

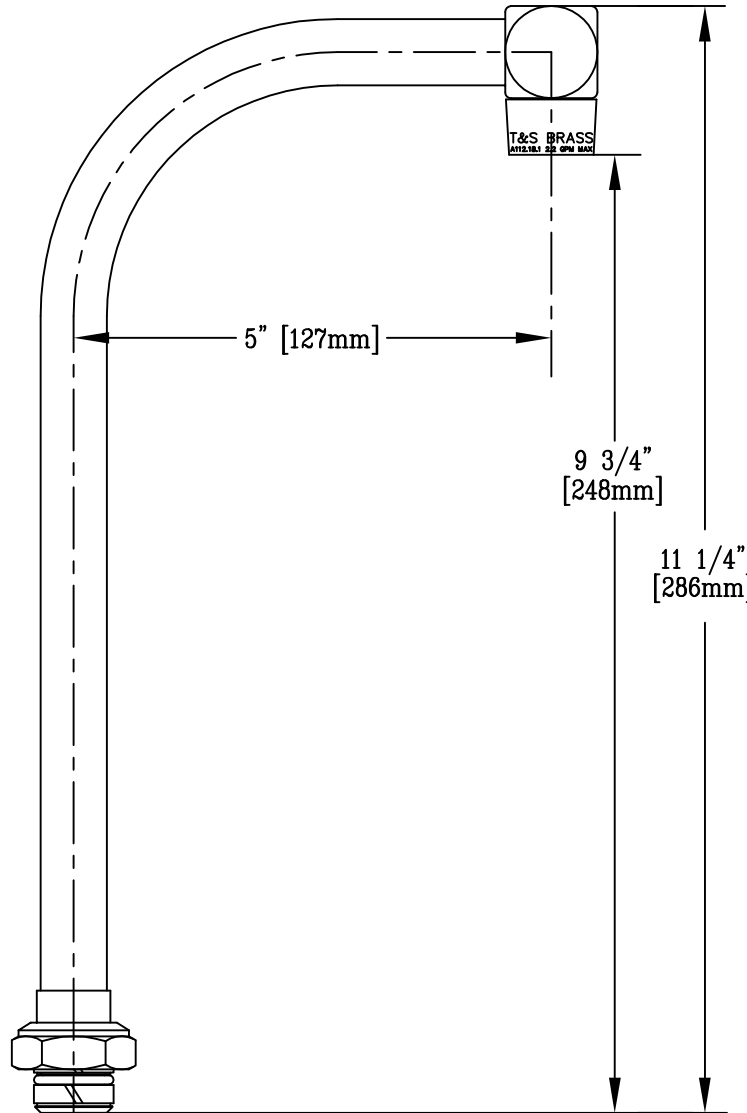


Model No.
 010094-40
 Item No.:

Job Name:

Architect/Engineer Approval:

Notes:



Product Description:
 B-2386 GOOSENECK ASSEMBLY

Drawn:
 WJS
 Approved
 MVW

Checked
 JKD

Scale:
 1:2
 Date:
 3/2/98