



T&S BRASS AND BRONZE WORKS, INC.  
 2 SADDLEBACK COVE / P.O. BOX 1088 / TRAVELERS REST, SC 29690  
 PHONE 800-476-4103 FAX 864- 834-3518



Sales No.

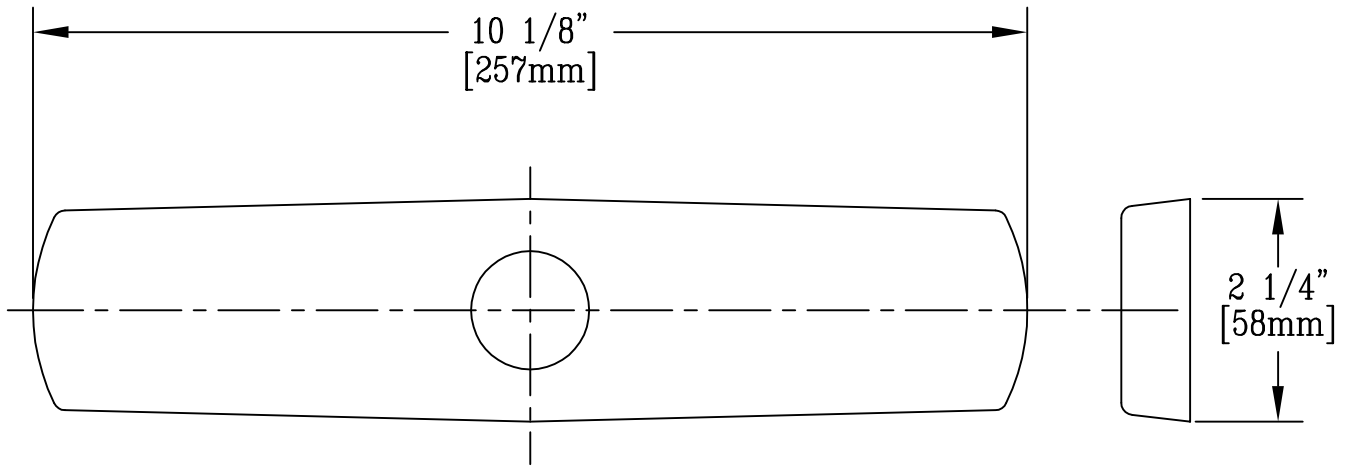
010204-45

Item No.:

Job Name:

Architect/Engineer Approval:

Notes:



Product Description:

10" COVER PLATE

Drawn:

WJS

Approved

MVW

Checked

JKD

Scale:

1 : 2

Date:

7/8/98